

ASEM 6300B-JB1

Compact fanless book mounting IPCs
with Intel® Tiger Lake UP3 platform



- Intel® Celeron® and Core™ processors of the 11th generation SoC Tiger Lake UP3 in embedded and industrial versions with support for real time applications thanks to the reliability and data integrity guarantee of ECC memory
- RAM memory configurable up to 32GB
- Fanless IPC ensuring operation between 0 and 50 °C without the need for mechanical ventilation
- ATX functionality for remote power on and native support for our new Smart UPS (coming soon)
- Storage from 0GB to 2TB with M.2 PCIe NVMe SSDs for maximum read and write speeds
- Up to four DisplayPort++ ports to meet every display need
- Connectivity ensured by the four 2.5 Gigabit Ethernet ports
- Available in two versions to ensure maximum ergonomics
- ThinManager® ready BIOS preinstalled
- FactoryTalk® Remote Access™ remote support software included
- Optional FactoryTalk® Optix™ visualization software
- Complies with Rockwell Automation's Design for Security (DfS) process

FT Remote Access™ INCLUDED
compatible with UBIQUITY

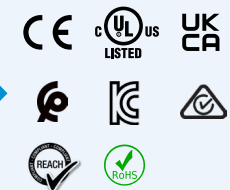
FT Optix™ OPTIONAL

Windows 11 IoT

ECC

FANLESS

DESIGN
FOR
SECURITY



ASEM 6300B-JB1

VERSIONS



ASEM 6300B-JB1xxA



ASEM 6300B-JB1xxB



ASEM 6300B-JB1xxD

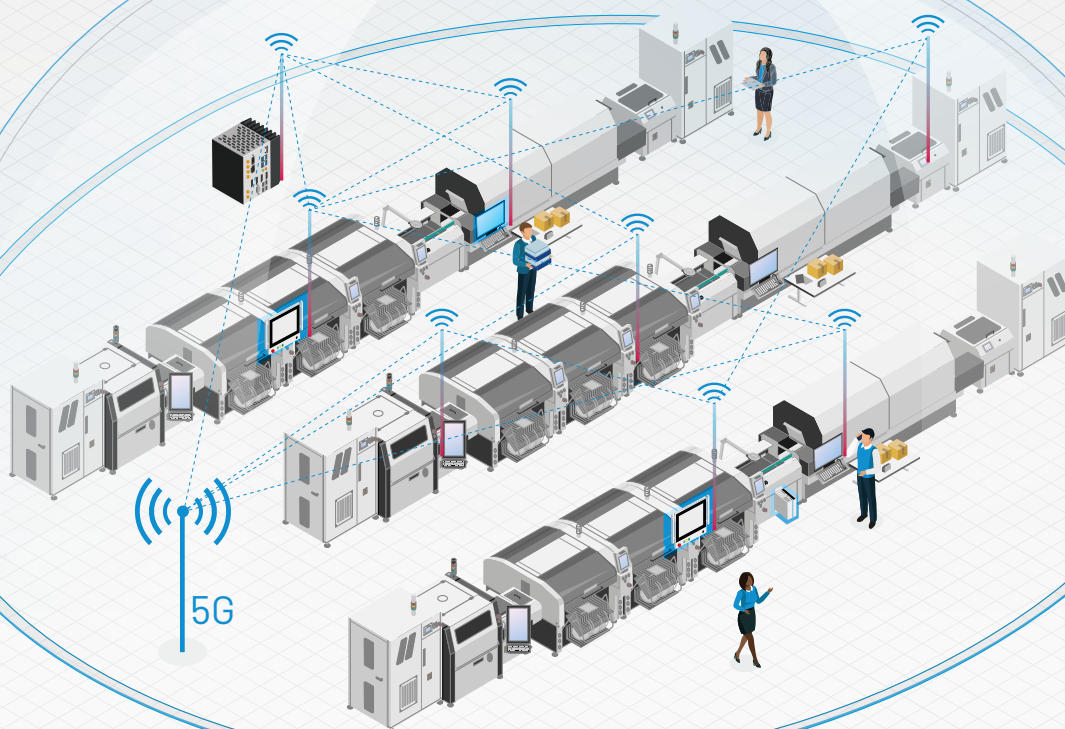
Wi-Fi6/Bluetooth & 5G* global

*5G option available soon

Extend connectivity with WiFi6/Bluetooth and 5G*, suitable for the latest network infrastructures in industrial environments

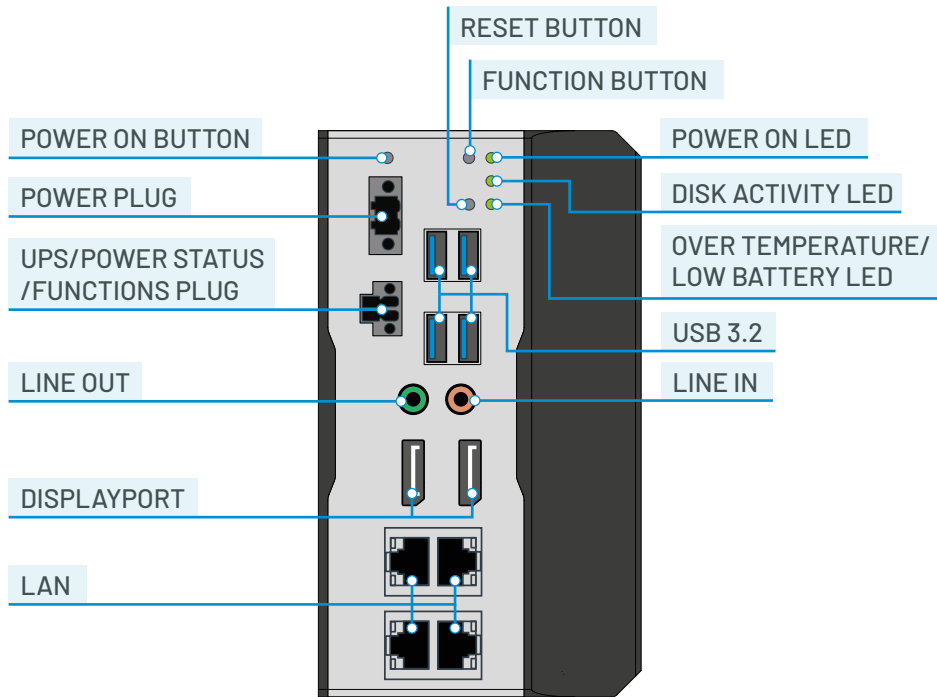
5G PRIVATE NETWORK

AVAILABLE SOON

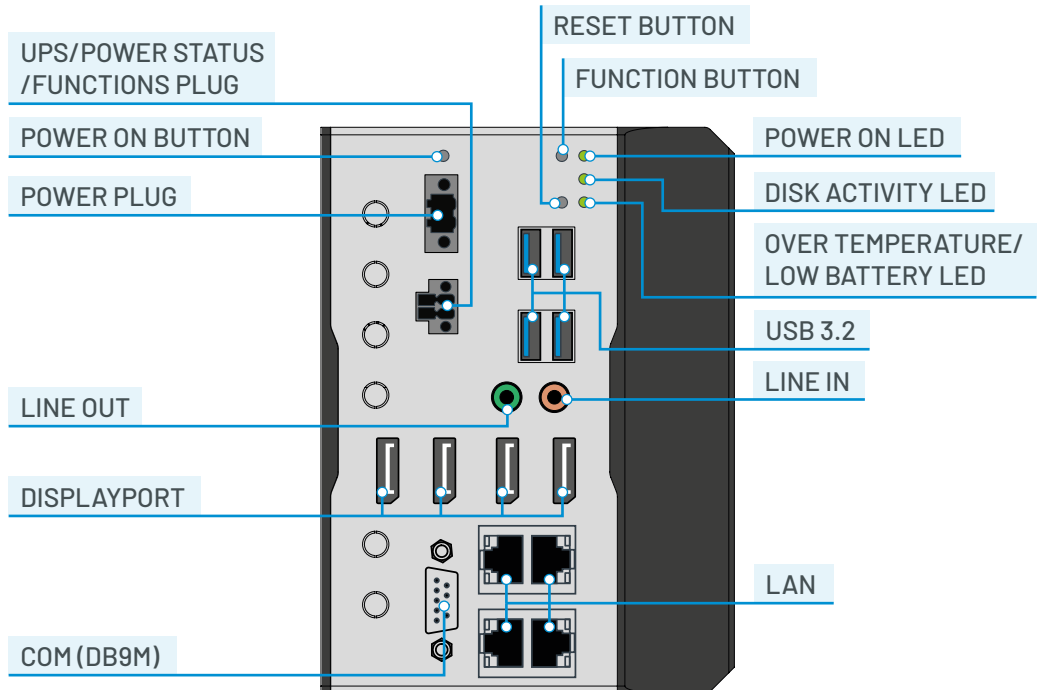


I/O SHIELDS

ASEM 6300B-JB1xxA



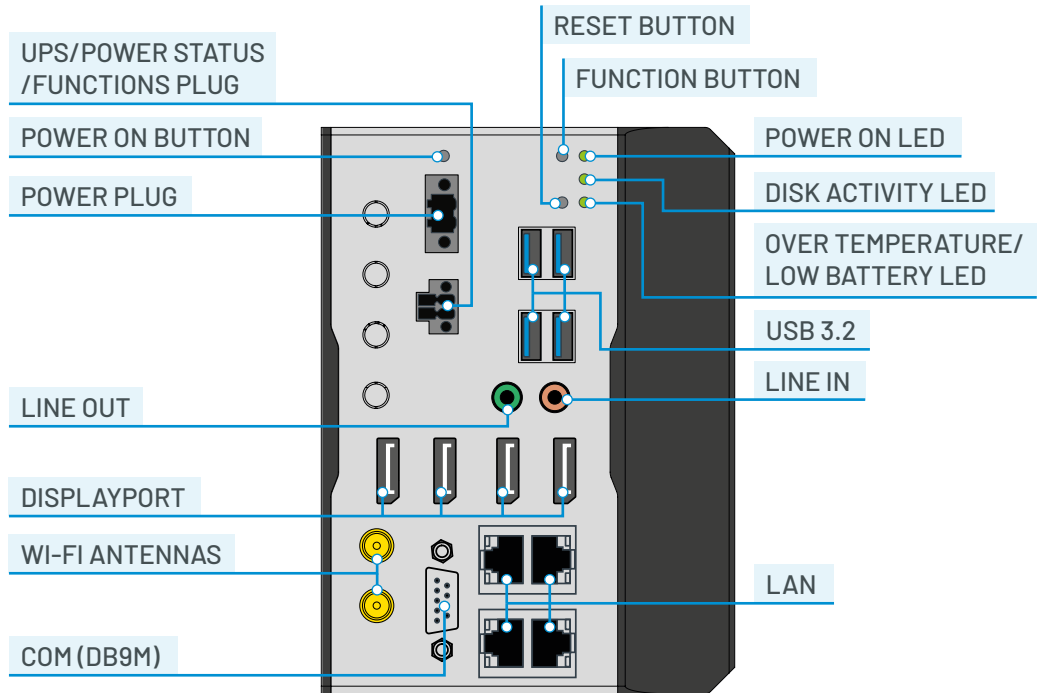
ASEM 6300B-JB1xxB



ASEM 6300B-JB1

I/O SHIELDS

ASEM 6300B-JB1xxD

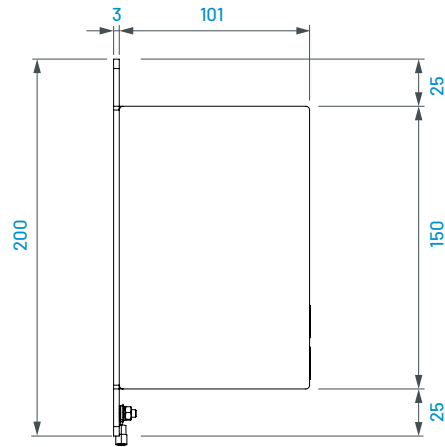
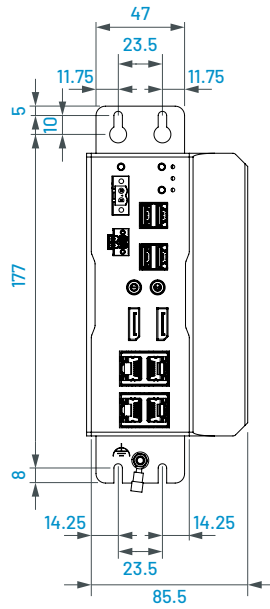


DIMENSIONS

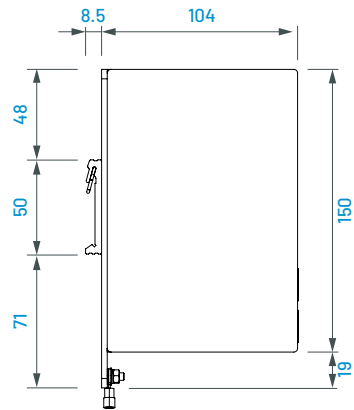
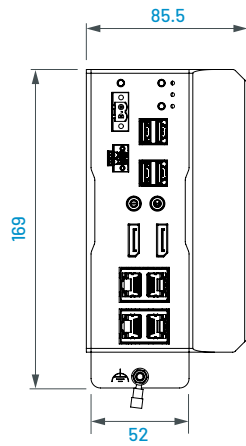
FRONT VIEW

SIDE VIEW

ASEM 6300B-JB1AAA – Book mounting



ASEM 6300B-JB1BAA – DIN rail mounting



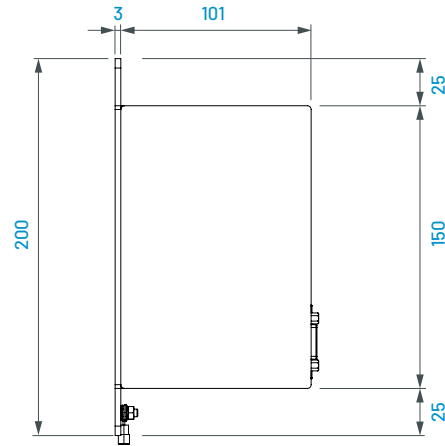
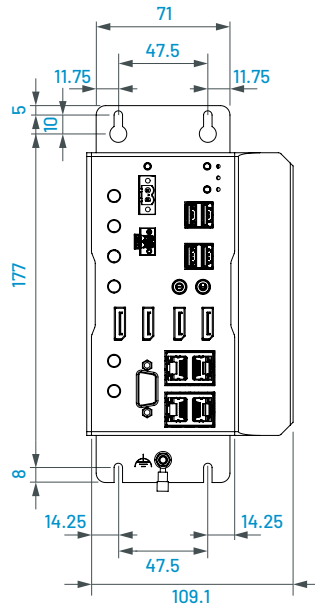
ASEM 6300B-JB1

DIMENSIONS

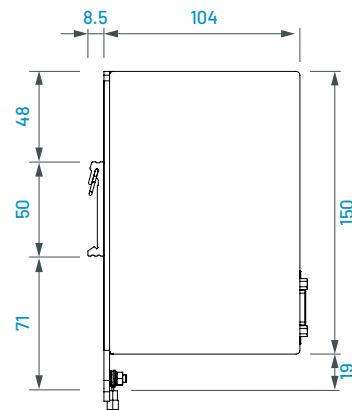
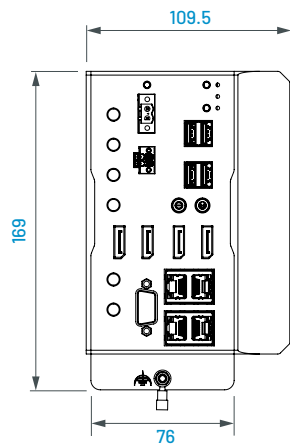
FRONT VIEW

SIDE VIEW

ASEM 6300B-JB1AAB & ASEM 6300B-JB1AAD – Book mounting



ASEM 6300B-JB1BAB & ASEM 6300B-JB1BAD – DIN rail mounting



TECHNICAL DATA

| | | 6300B-JB1 | | |
|---|-------------------------------|--|--|--------------|
| MODEL | | 6300B-JB1xxA | 6300B-JB1xxB | 6300B-JB1xxD |
| PROTECTION GRADE | IP rating | IP20 | | |
| CASE | Installation | Book / DIN rail mounting | | |
| | Material | Anodized aluminum alloy | | |
| DIMENSIONS (w/o mounting) | | 150x86x101mm | 150x110x101mm | |
| PROCESSOR (soldered on-board) | CPU Embedded | Intel® Celeron® 6305E 1.8GHz • 2 cores / 2 threads • 4MB Smart cache • 10nm Intel® Core™ i3-1115G4E 2.20GHz (3.90GHz Burst) • 2 cores / 4 threads • 6MB Smart cache • 10nm Intel® Core™ i5-1145G7E 1.50GHz (4.10GHz Burst) • 4 cores / 8 threads • 8MB Smart cache • 10nm Intel® Core™ i7-1185G7E 1.80GHz (4.40GHz Burst) • 4 cores / 8 threads • 12MB Smart cache • 10nm | | |
| | CPU Industrial | Intel® Core™ i3-1115GRE 2.20GHz (3.90GHz Burst) • 2 cores / 4 threads • 6MB Smart cache • 10nm Intel® Core™ i5-1145GRE 1.50GHz (4.10GHz Burst) • 4 cores / 8 threads • 8MB Smart cache • 10nm Intel® Core™ i7-1185GRE 1.80GHz (4.40GHz Burst) • 4 cores / 8 threads • 12MB Smart cache • 10nm | | |
| | Chipset | Intel® Tiger Lake PCH (Platform Controller Hub) • Included into processor chip (SoC) | | |
| | Video Controller | Intel® UHD Graphics integrated in Intel® Celeron® and Intel® Core™ i3 Intel® Iris® Xe Graphics integrated in Intel® Core™ i5 and i7 | | |
| TPM | | Intel® PTT (TPM integrated) Discrete TPM (optional) | | |
| SYSTEM MEMORY RAM (soldered on-board) | Intel® Celeron® | 4GB (LPDDR4x) 8GB (LPDDR4x) | | |
| | Intel® Core i3-1115G4E | 8GB (LPDDR4x) | | |
| | Intel® Core i5-1145G7E | 16GB (LPDDR4x) | | |
| | Intel® Core i7-1185G7E | 16GB (LPDDR4x) 32GB (LPDDR4x) | | |
| | Intel® Core i3-1115GRE | 8GB (LPDDR4x) | | |
| | Intel® Core i5-1145GRE | 16GB (LPDDR4x) | | |
| Intel® Core i7-1185GRE | 32GB (LPDDR4x) | | | |
| MASS STORAGE | SSD M.2 | 1x onboard connector for direct insertion of M.2 NVMe PCIe x2 SSD (up to 2TB) | | |
| INTERFACES | LAN | 4x 2.5 Gigabit Ethernet (RJ45) | | |
| | USB | 4x USB 3.2 Gen2 (Type-A) 10Gbps | | |
| | SERIAL | - | 1x RS232/422/485 isolated (DB9M) | |
| | VIDEO | 2x DisplayPort++ v1.4a | 4x DisplayPort++ v1.4a | |
| | AUDIO | 1x Line-Out Audio Stereo 1x Mic-In | | |
| WiFi MODULE | Model | - | Intel® Wi-Fi 6E AX210 (*1) | |
| | Standard | - | IEEE 802.11a/b/g/n/ac/ax Bluetooth® 5.3 | |
| | Security | - | WPA2; WPA3 | |
| | Antenna | - | 2x RP-SMA Female connector | |
| NOVRAM (optional) | | 256kB MRAM module for retentive variables | | |
| POWER SUPPLY INPUT | | 24VDC (18÷32VDC) isolated | | |
| POWER SUPPLY ADD-ON FUNCTIONS (selectable from BIOS) | | Remote Power Button 1x output signal Power Status + 1x input signal System Off | | |
| BATTERY | | 1x CR2032 Internal access | | |
| O.S. CERTIFIED | | Microsoft Windows 10 IoT Enterprise LTSC 2021 64 bit Microsoft Windows 11 IoT Enterprise LTSC 2024 64bit | | |
| OPERATING TEMPERATURE | | 0°C ÷ 50°C | | |
| STORAGE TEMPERATURE | | -20°C ÷ 65°C | | |
| OPERATING/STORAGE RELATIVE HUMIDITY | | 20% ÷ 90% RH (at 25°C, non-condensing) | | |
| APPROVALS | | CE UKCA cULus Listed Cmim - Morocco KCC - Korea RCM - Australia and New Zealand REACH RoHS | | |

Note *1: Wi-Fi 6E band (6GHz) is not available.

