

ASEM 6300B-JB1

Fanless book mounting IPC compatti
con piattaforma Intel® Tiger Lake UP3



- Processori Intel® Celeron® e Core™ della 11a generazione SoC Tiger Lake UP3 in versioni embedded e industrial con supporto ad applicazioni real time grazie all'affidabilità e alla garanzia di integrità dei dati della memoria ECC
- Memoria RAM configurabile fino a 32GB
- Fanless IPC garantendo operatività fra 0 e 50 °C senza necessità di ventilazione meccanica
- Funzionalità ATX per accensione remota e supporto nativo al nostro nuovo Smart UPS (coming soon)
- Archiviazione da 0GB a 2TB con SSD M.2 PCIe NVMe per massima velocità in lettura e scrittura
- Fino a quattro porte DisplayPort++ per soddisfare ogni esigenza di visualizzazione
- Connettività assicurata dalle quattro porte 2.5 Gigabit Ethernet
- Disponibile in due versioni per garantire la massima ergonomia
- BIOS ThinManager® ready preinstallato
- Software per l'assistenza remota FactoryTalk® Remote Access™ incluso
- Software di visualizzazione FactoryTalk® Optix™ opzionale
- Conforme con il processo Design for Security (DfS) di Rockwell Automation

FT Remote Access™ INCLUDED
compatible with UBIQUITY

FT Optix™ OPTIONAL

Windows 11 IoT

ECC

FANLESS



DESIGN
FOR
SECURITY



 ASEM

A ROCKWELL AUTOMATION COMPANY

ASEM 6300B-JB1

VERSIONI



ASEM 6300B-JB1xxA



ASEM 6300B-JB1xxB



ASEM 6300B-JB1xxD

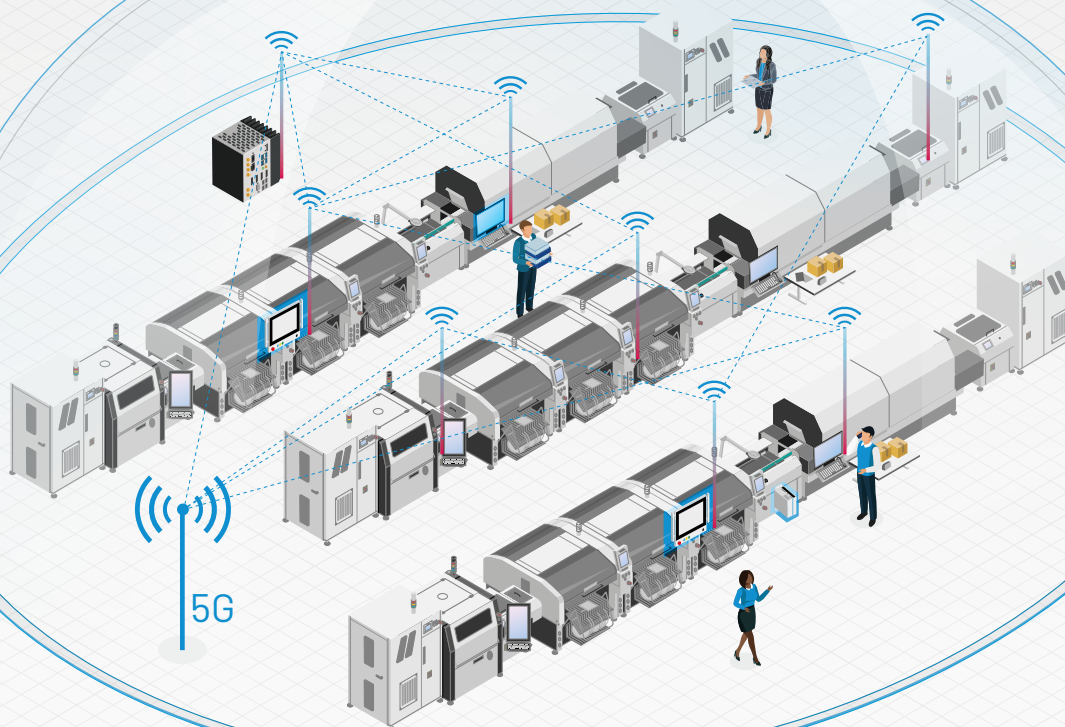
Wi-Fi6/Bluetooth & 5G* global

*Opzione 5G disponibile a breve

Estendi la connettività con il WiFi6/Bluetooth e il 5G*, adatta alle più recenti infrastrutture di rete in ambito industriale

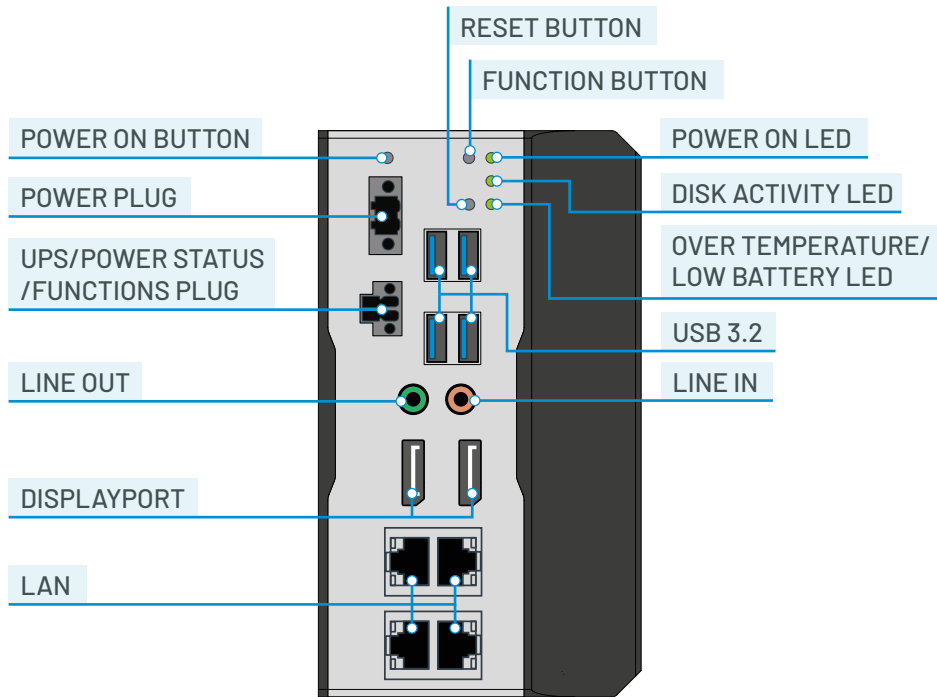
5G PRIVATE NETWORK

AVAILABLE SOON

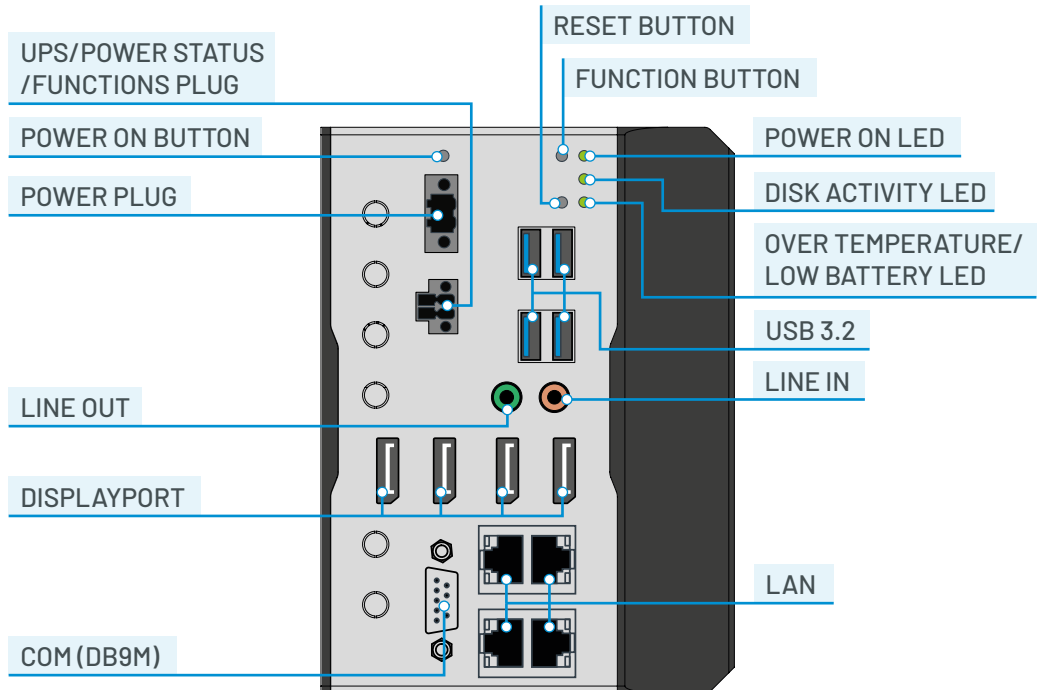


I/O SHIELD

ASEM 6300B-JB1xxA



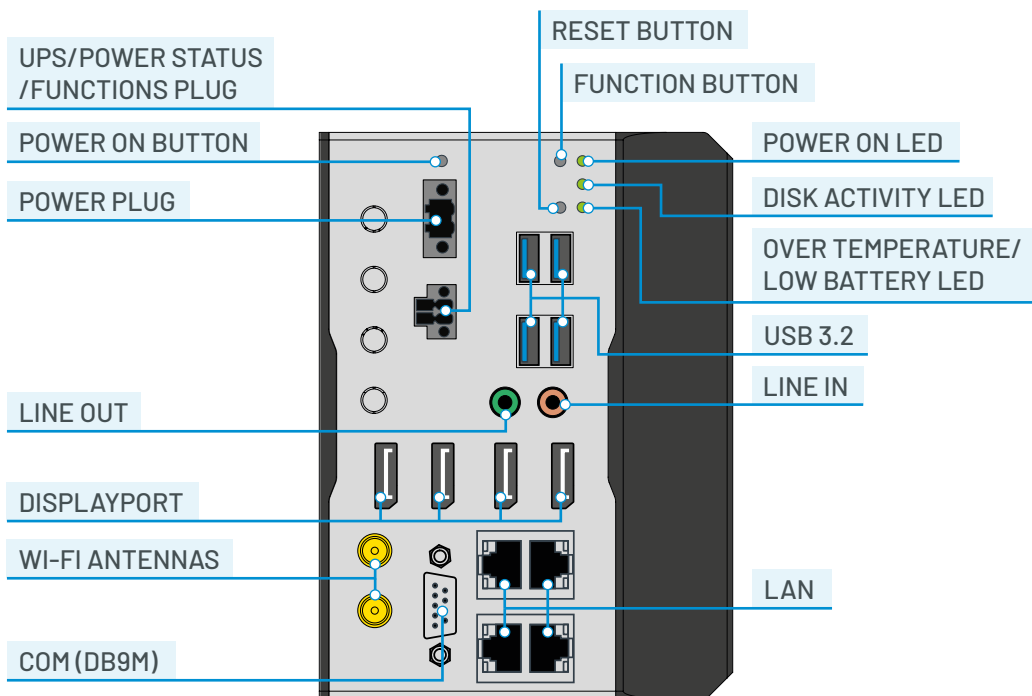
ASEM 6300B-JB1xxB



ASEM 6300B-JB1

I/O SHIELD

ASEM 6300B-JB1xxD

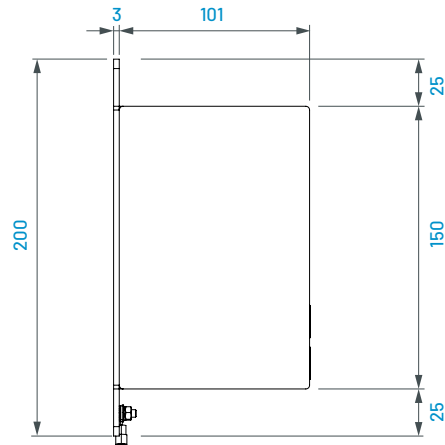
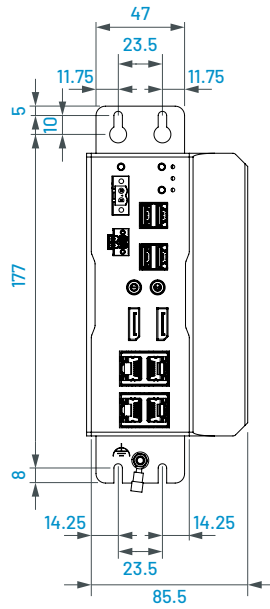


DIMENSIONI

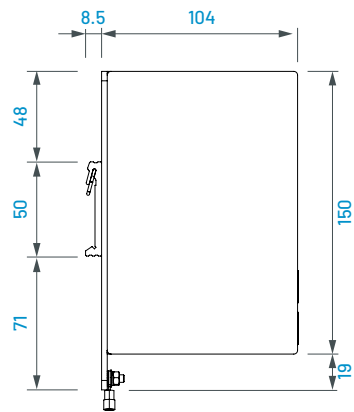
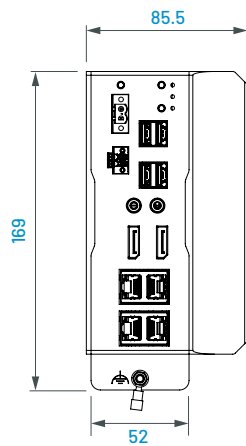
FRONT VIEW

SIDE VIEW

ASEM 6300B-JB1AAA – Book mounting



ASEM 6300B-JB1BAA – DIN rail mounting



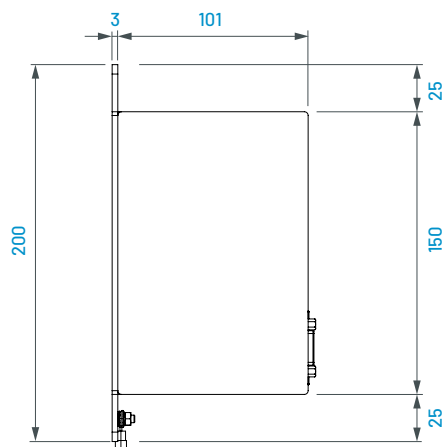
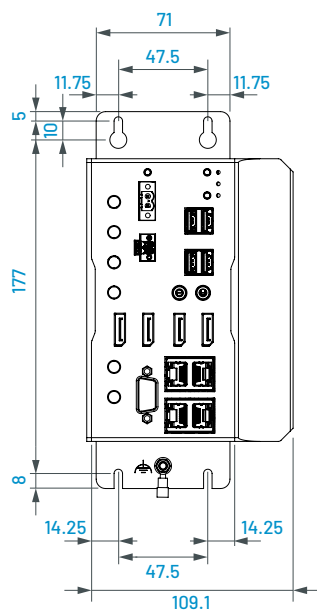
ASEM 6300B-JB1

DIMENSIONI

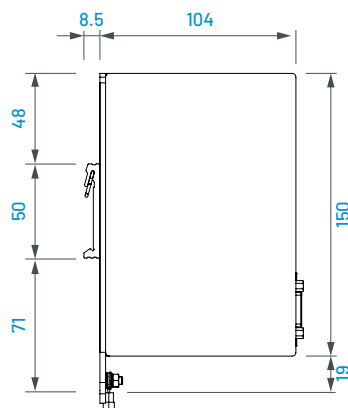
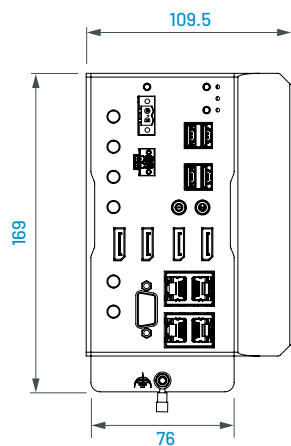
FRONT VIEW

SIDE VIEW

ASEM 6300B-JB1AAB & ASEM 6300B-JB1AAD – Book mounting



ASEM 6300B-JB1BAB & ASEM 6300B-JB1BAD – DIN rail mounting



DATI TECNICI

		6300B-JB1		
MODEL		6300B-JB1xxA	6300B-JB1xxB	6300B-JB1xxD
PROTECTION GRADE	IP rating	IP20		
CASE	Installation	Book / DIN rail mounting		
	Material	Anodized aluminum alloy		
DIMENSIONS (w/o mounting)		150x86x101mm	150x110x101mm	
PROCESSOR (soldered on-board)	CPU Embedded	Intel® Celeron® 6305E 1.8GHz • 2 cores / 2 threads • 4MB Smart cache • 10nm Intel® Core™ i3-1115G4E 2.20GHz (3.90GHz Burst) • 2 cores / 4 threads • 6MB Smart cache • 10nm Intel® Core™ i5-1145G7E 1.50GHz (4.10GHz Burst) • 4 cores / 8 threads • 8MB Smart cache • 10nm Intel® Core™ i7-1185G7E 1.80GHz (4.40GHz Burst) • 4 cores / 8 threads • 12MB Smart cache • 10nm		
	CPU Industrial	Intel® Core™ i3-1115GRE 2.20GHz (3.90GHz Burst) • 2 cores / 4 threads • 6MB Smart cache • 10nm Intel® Core™ i5-1145GRE 1.50GHz (4.10GHz Burst) • 4 cores / 8 threads • 8MB Smart cache • 10nm Intel® Core™ i7-1185GRE 1.80GHz (4.40GHz Burst) • 4 cores / 8 threads • 12MB Smart cache • 10nm		
	Chipset	Intel® Tiger Lake PCH (Platform Controller Hub) • Included into processor chip (SoC)		
	Video Controller	Intel® UHD Graphics integrated in Intel® Celeron® and Intel® Core™ i3 Intel® Iris® Xe Graphics integrated in Intel® Core™ i5 and i7		
TPM		Intel® PTT (TPM integrated) Discrete TPM (optional)		
SYSTEM MEMORY RAM (soldered on-board)	Intel® Celeron®	4GB (LPDDR4x) 8GB (LPDDR4x)		
	Intel® Core i3-1115G4E Intel® Core i5-1145G7E	8GB (LPDDR4x) 16GB (LPDDR4x)		
	Intel® Core i7-1185G7E	16GB (LPDDR4x) 32GB (LPDDR4x)		
	Intel® Core i3-1115GRE	8GB (LPDDR4x)		
	Intel® Core i5-1145GRE	16GB (LPDDR4x)		
	Intel® Core i7-1185GRE	32GB (LPDDR4x)		
MASS STORAGE	SSD M.2	1x onboard connector for direct insertion of M.2 NVMe PCIe x2 SSD (up to 2TB)		
INTERFACES	LAN	4x 2.5 Gigabit Ethernet (RJ45)		
	USB	4x USB 3.2 Gen2 (Type-A) 10Gbps		
	SERIAL	-	1x RS232/422/485 isolated (DB9M)	
	VIDEO	2x DisplayPort++ v1.4a	4x DisplayPort++ v1.4a	
	AUDIO	1x Line-Out Audio Stereo 1x Mic-In		
WiFi MODULE	Model	-	Intel® Wi-Fi 6E AX210 (*1)	
	Standard	-	IEEE 802.11a/b/g/n/ac/ax Bluetooth® 5.3	
	Security	-	WPA2; WPA3	
	Antenna	-	2x RP-SMA Female connector	
NOVRAM (optional)		256kB MRAM module for retentive variables		
POWER SUPPLY INPUT		24VDC (18÷32VDC) isolated		
POWER SUPPLY ADD-ON FUNCTIONS (selectable from BIOS)		Remote Power Button 1x output signal Power Status + 1x input signal System Off		
BATTERY		1x CR2032 Internal access		
O.S. CERTIFIED		Microsoft Windows 10 IoT Enterprise LTSC 2021 64 bit Microsoft Windows 11 IoT Enterprise LTSC 2024 64bit		
OPERATING TEMPERATURE		0°C ÷ 50°C		
STORAGE TEMPERATURE		-20°C ÷ 65°C		
OPERATING/STORAGE RELATIVE HUMIDITY		20% ÷ 90% RH (at 25°C, non-condensing)		
APPROVALS		CE UKCA cULus Listed Cmim - Morocco KCC - Korea RCM - Australia and New Zealand REACH RoHS		

Note *1: Wi-Fi 6E band (6GHz) is not available.

