

BM1XY FAMILY

Ultra-compact fanless book mounting IPCs
with Intel® Apollo Lake platform



HIGHLIGHTS

- Ultra-compact design
- Anodized aluminum chassis
- Intel® Atom™ x5-E3930 dual-core 1,30 GHz and x7-E3950 quad-core 1,60 GHz processors of Apollo Lake SoC generation
- RAM up to 8GB
- Fanless IPCs
- Available with 4 ports Gigabit Ethernet switch (only BM121)
- DIN rail mounting available
- Wall mounting available (only BM100)
- Built-in UPS with external battery pack (optional)
- Integrated UBIQUITY software for remote assistance via end-to-end VPN connection
- FactoryTalk® Optix™ software for HMI and Edge Computing applications (optional)

 UBIQUITY INSIDE

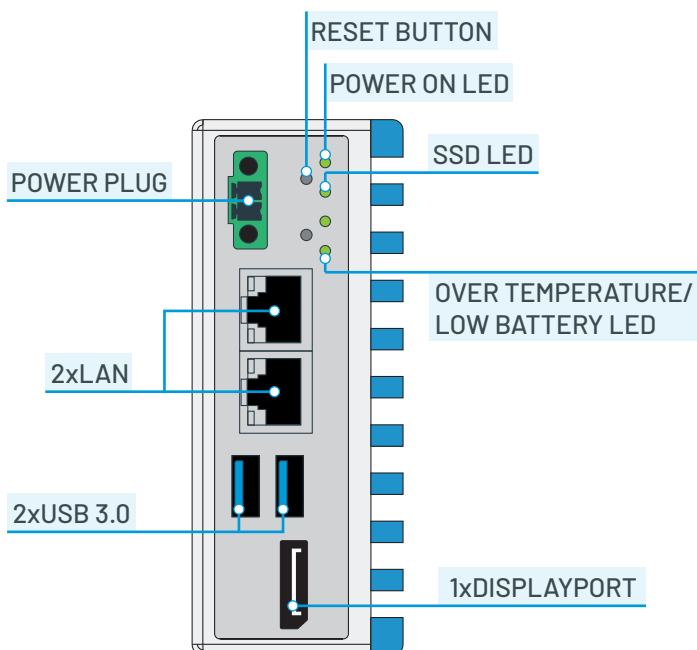
 Optix™ OPTIONAL



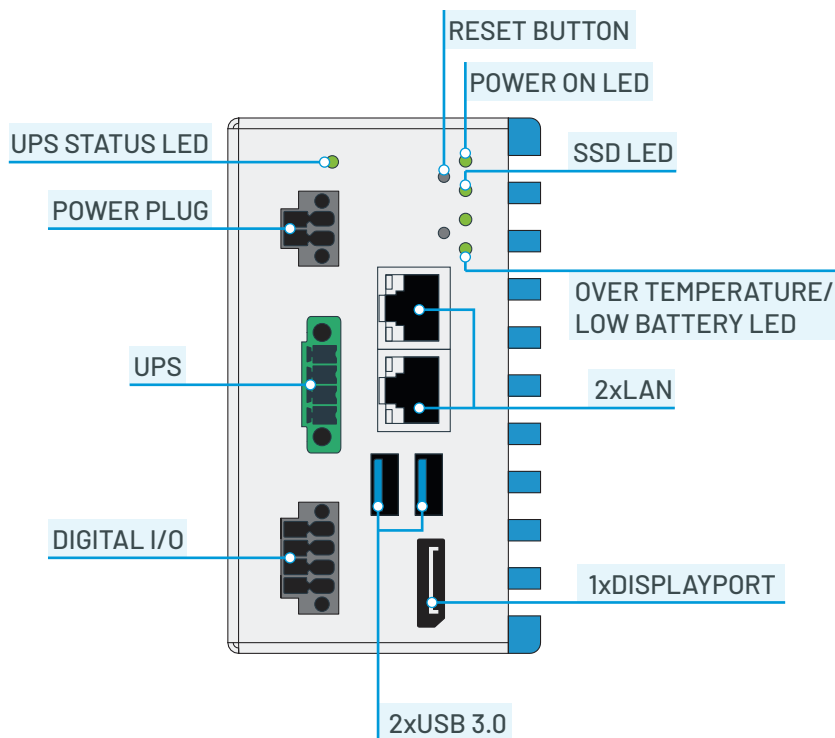
BM1XY FAMILY

I/O SHIELDS

BM100

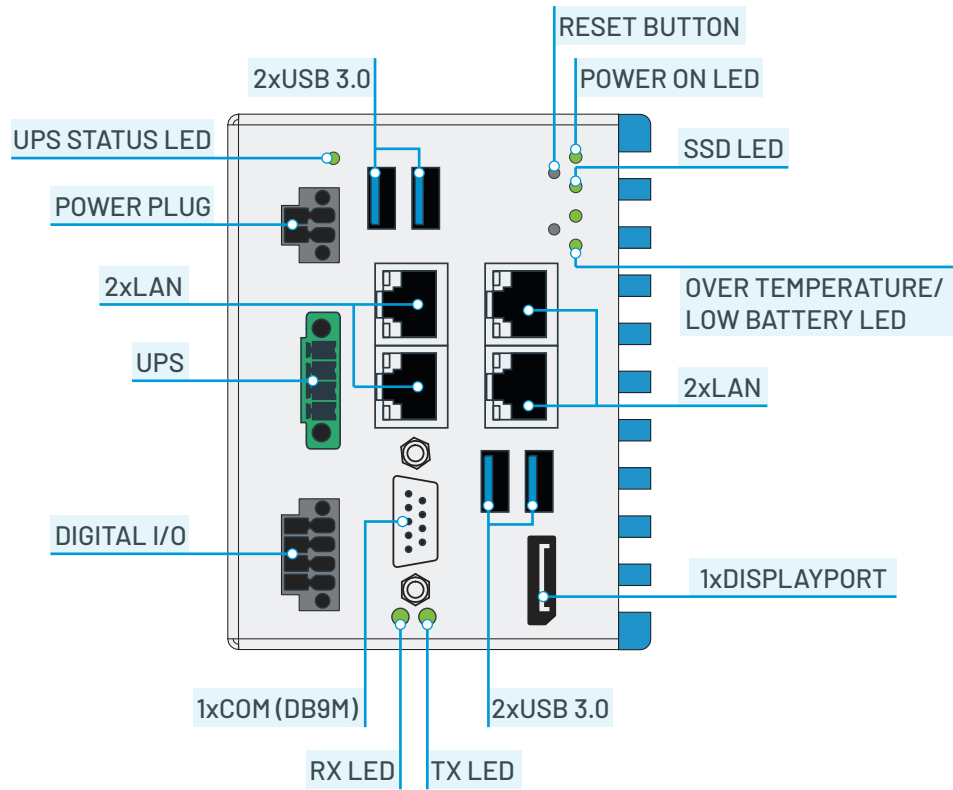


BM110

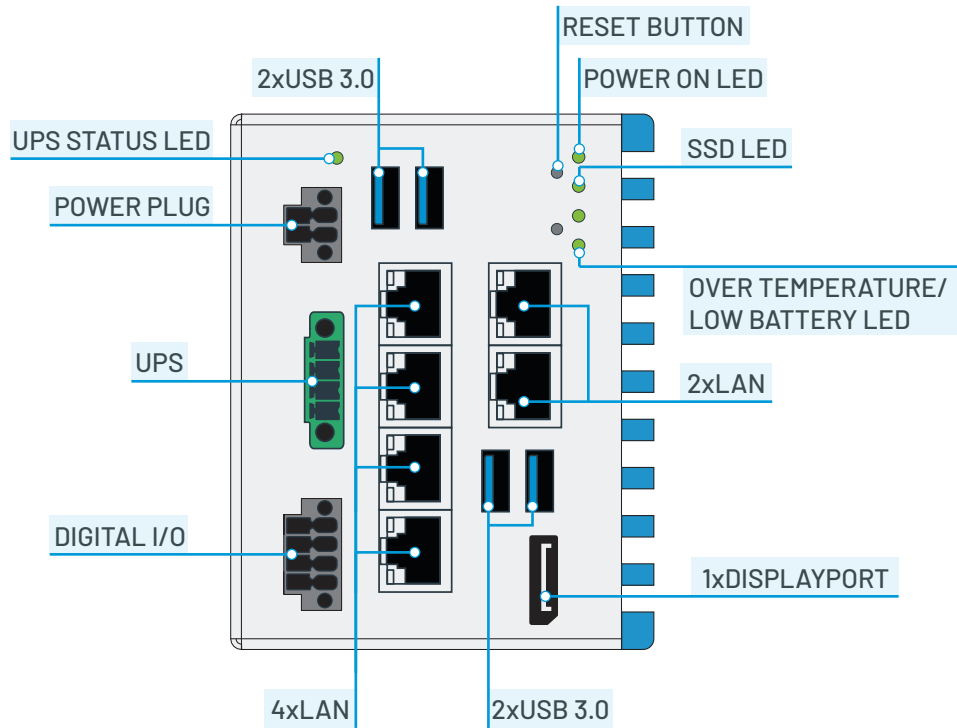


I/O SHIELDS

BM120



BM121



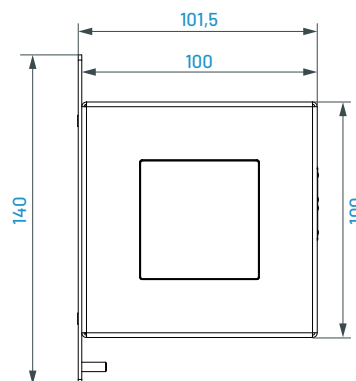
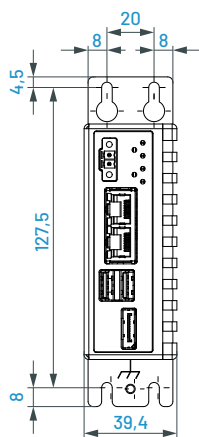
BM1XY FAMILY

DIMENSIONS

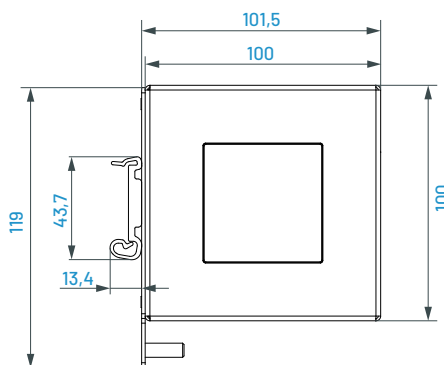
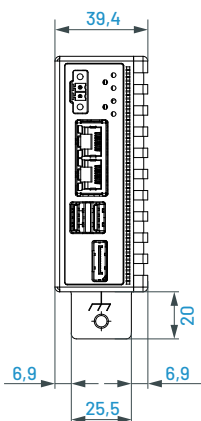
FRONT VIEW

SIDE VIEW

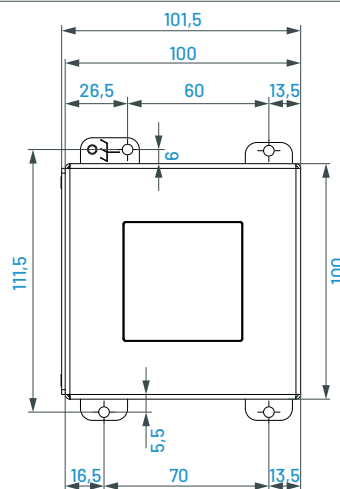
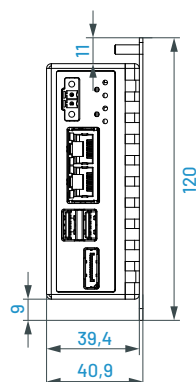
BM100 - book mounting



BM100 - DIN mounting



BM100 - wall mounting

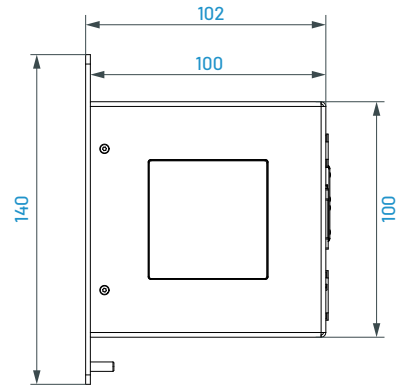
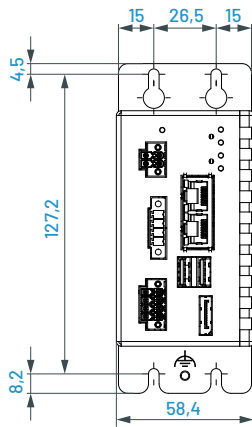


DIMENSIONS

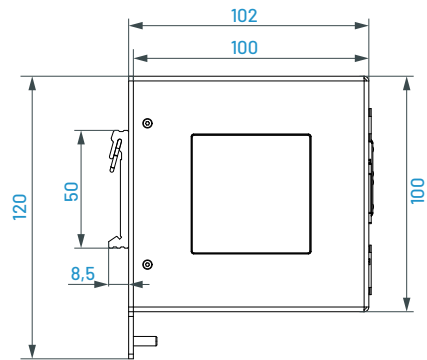
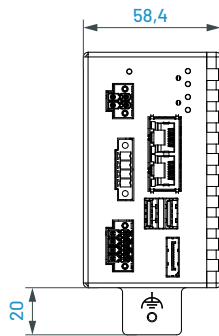
FRONT VIEW

SIDE VIEW

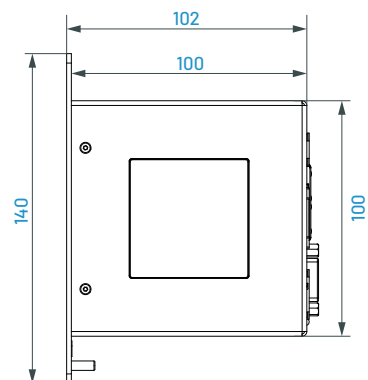
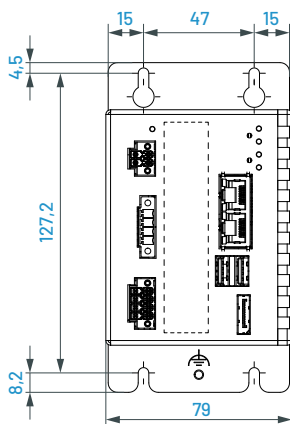
BM110 - book mounting



BM110 - DIN mounting



BM12X - book mounting



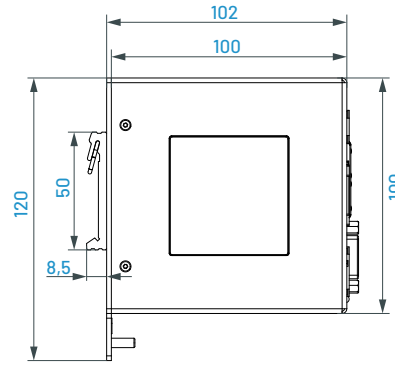
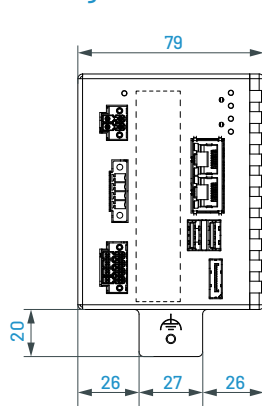
BM1XY FAMILY

DIMENSIONS

FRONT VIEW

SIDE VIEW

BM12X - DIN mounting



TECHNICAL DATA

		BM100	BM110	BM120	BM121	
PROTECTION GRADE	IP rating	IP20				
CASE	Installation	Book / DIN rail / Wall Mounting	Book / DIN rail Mounting			
	Material	Anodized aluminum alloy				
	Dimensions (w/o mounting)	100x100x39,4mm	100x100x58,4mm	100x100x79mm		
PROCESSOR (soldered on-board)		Intel Atom® x5-E3930 1.3GHz (1.8 GHz Burst) • 2 cores / 2 threads • 2MB L2 cache • 14nm Intel Atom® x7-E3950 1.6GHz (2.0 GHz Burst) • 4 cores / 4 threads • 2MB L2 cache • 14nm				
CHIPSET		Intel® Apollo Lake • Included into processor chip (SoC)				
VIDEO CONTROLLER		Intel® HD Graphics 500 integrated in Intel Atom® x5-E3930 processor • 400MHz/550MHz Intel® HD Graphics 505 integrated in Intel Atom® x7-E3950 processor • 500MHz/650MHz				
TPM		Intel® PTT (TPM integrated)				
SYSTEM MEMORY RAM (soldered)	with x5-E3930	4GB SODIMM LP-DDR4 module				
	with x7-E3950	4GB or 8GB SODIMM LP-DDR4 module				
MASS STORAGE	SSD M.2	1x onboard connector for direct insertion of M.2 2242 SATA III SSD (up to 480GB)				
INTERFACES	LAN	2x Gigabit Ethernet (RJ45)	4x Gigabit Ethernet (RJ45)	2x Gigabit Ethernet (RJ45)		
	LAN Switch	-			1x Unmanaged Gigabit Switch (4x RJ45)	
	USB	2x USB 3.0 (Type-A)		4x USB 3.0 (Type-A)		
	SERIAL	-		1x RS232/422/485 (DB9M)	-	
	VIDEO	1x DisplayPort++ V1.2				
	DIGITAL INPUT	-	2x Digital Input (0÷24V isolation 500V)			
	DIGITAL OUTPUT	-	2x Digital Output (N.O. max 200mA 24VDC)			
POWER SUPPLY INPUT		24VDC (18÷32VDC) isolated				
POWER SUPPLY (optional)	UPS	-	UPS with external battery pack (NiMH • 12V/2,5Ah) (separate mounting)			
BATTERY		1x CR2032 Internal access				
O.S. CERTIFIED		Microsoft Windows 10 IoT Enterprise 2019 64 bit				
OPERATING TEMPERATURE	with x5-E3930	0°C ÷ 55°C	0°C ÷ 50°C			
	with x7-E3950	0°C ÷ 50°C				
STORAGE TEMPERATURE		-10°C ÷ 60°C				
OPERATING/STORAGE RELATIVE HUMIDITY		20% ÷ 90% RH (non-condensing)				
APPROVALS		CE RoHS UKCA cULus Listed	CE RoHS cULus Listed	CE RoHS UKCA cULus Listed		

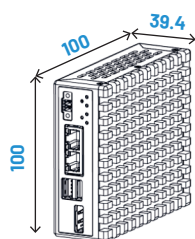
BM1XY FAMILY

COMPARISON TABLE

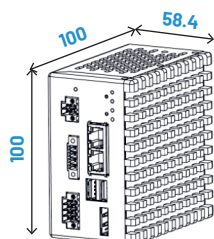
	BM100	BM110	BM120	BM121
2 DI + 2 DO	X	✓	✓	✓
LAN	2	2	4	6 (2 + 4-port switch)
USB 3.0	2	2	4	4
MultiSTD.COM	X	X	✓	X
UPS (optional)	X	✓	✓	✓

DIMENSIONS OVERVIEW

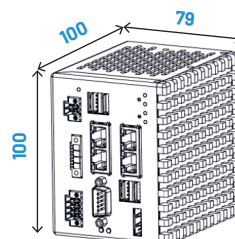
BM100



BM110



BM12X



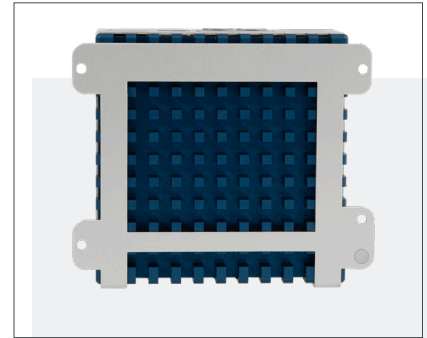
GALLERY



WIDE RANGE OF CONFIGURATIONS



DIN MOUNTING BM1XY



WALL MOUNTING BM100

DETAIL - EXTERNAL BATTERY PACK

External battery pack (not available for BM100)



