

FAMIGLIA BM1XY

Fanless book mounting IPC ultra compatti
con piattaforma Intel® Apollo Lake



HIGHLIGHTS

- Design compatto
- Chassis in alluminio anodizzato
- Processori Intel® Atom™ x5-E3930 dual-core 1,30 GHz e x7-E3950 quad-core 1,60 GHz della generazione SoC Apollo Lake
- RAM fino a 8GB
- Fanless IPC
- Disponibili con switch Gigabit Ethernet a 4 porte (solo BM121)
- Disponibile montaggio a guida DIN
- Disponibile montaggio a parete (solo BM100)
- UPS integrato con kit batterie esterno (opzionale)
- Software UBIQUITY integrato per l'assistenza remota attraverso connessione VPN end-to-end
- Software FactoryTalk® Optix™ per applicazioni HMI e Edge Computing (opzionale)

 UBIQUITY INSIDE

 Optix™ OPTIONAL

 CE

 RoHS

 UK
CA

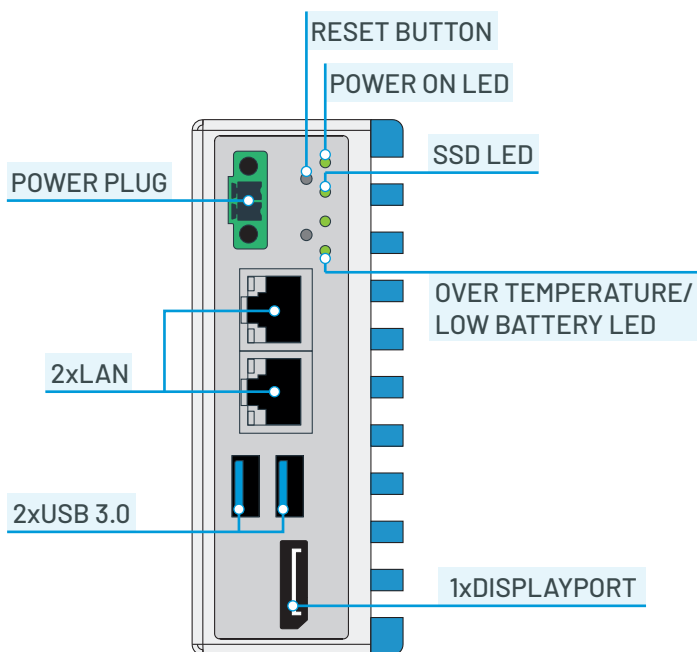
 UL
LISTED

 ASEM
A ROCKWELL AUTOMATION COMPANY

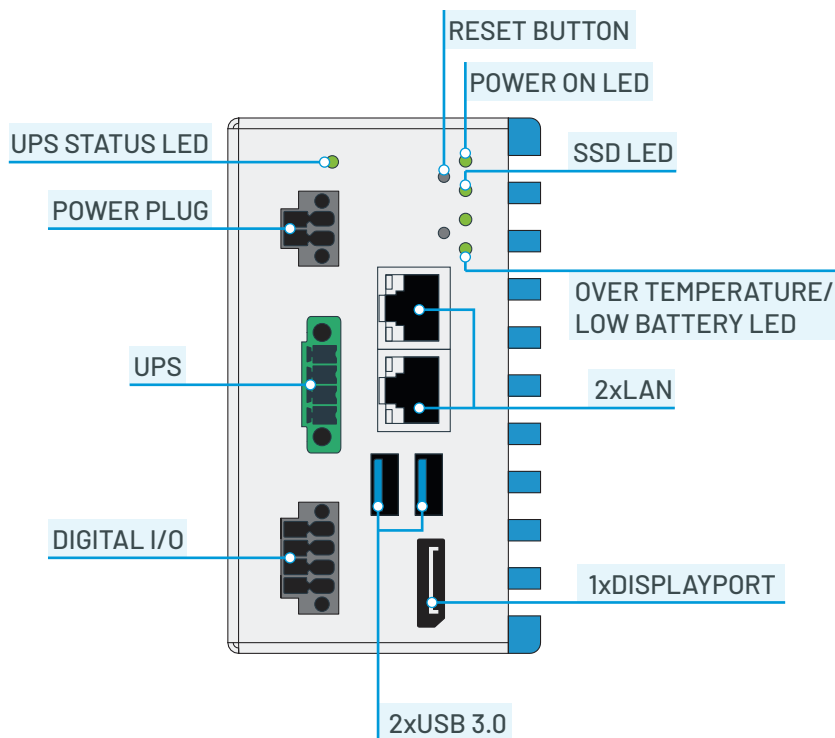
FAMIGLIA BM1XY

I/O SHIELD

BM100

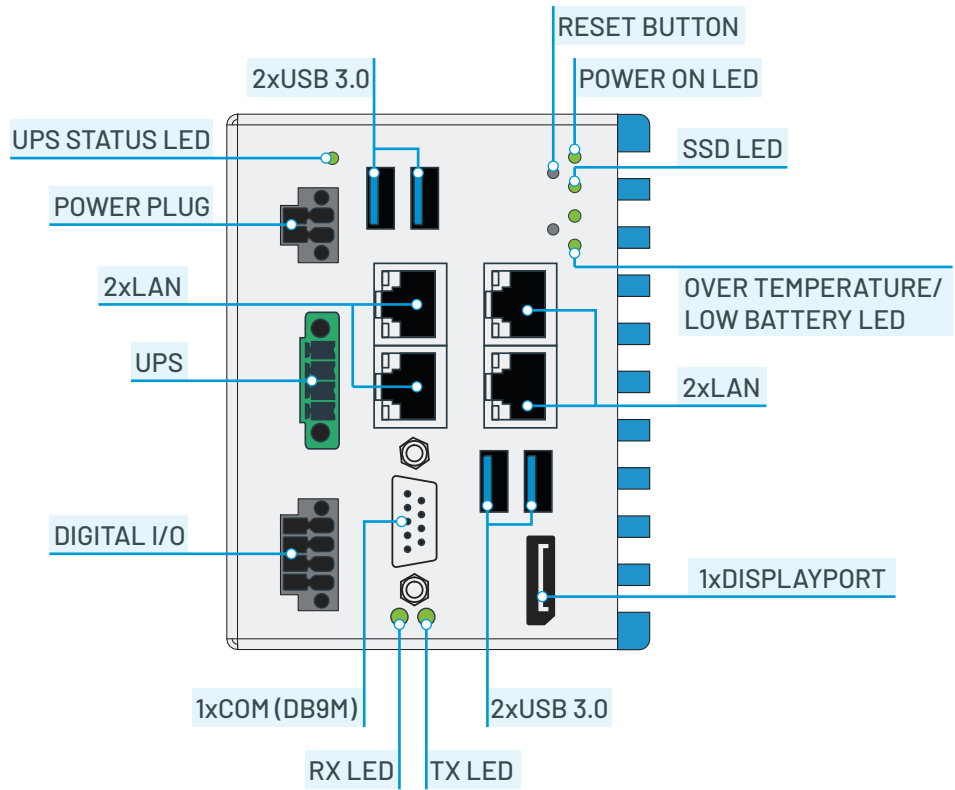


BM110

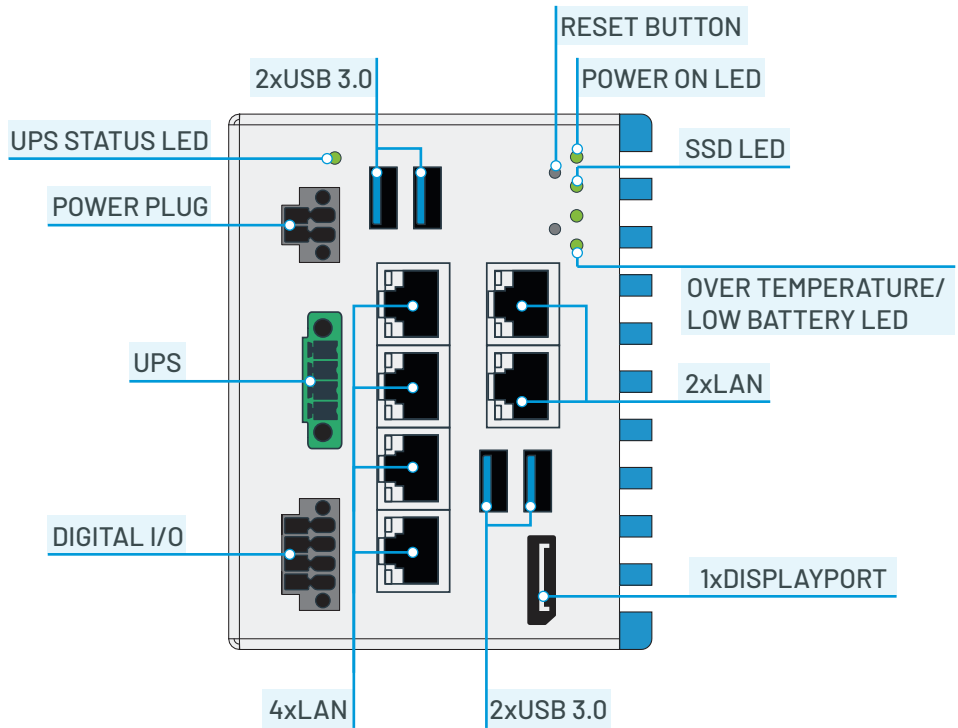


I/O SHIELD

BM120



BM121



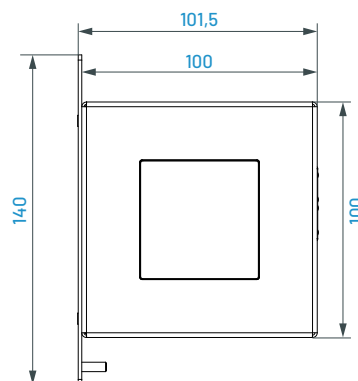
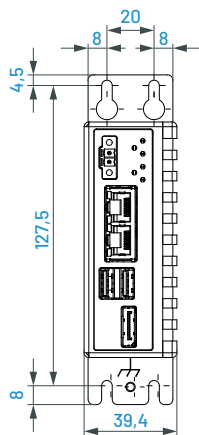
FAMIGLIA BM1XY

DIMENSIONI

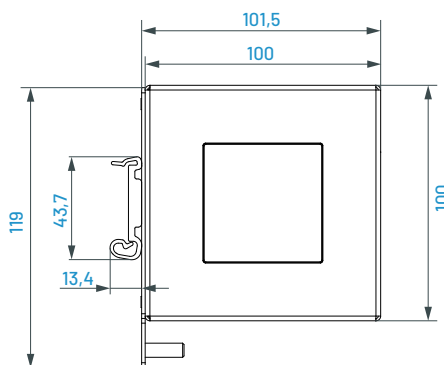
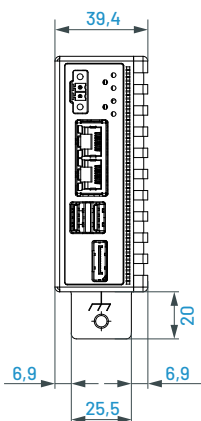
FRONT VIEW

SIDE VIEW

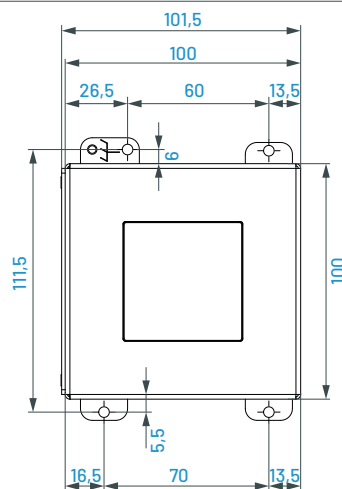
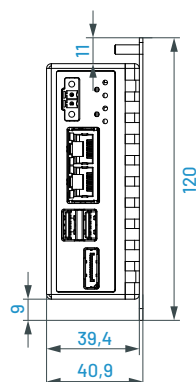
BM100 - book mounting



BM100 - DIN mounting



BM100 - wall mounting

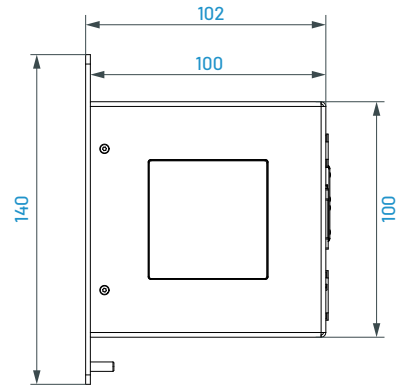
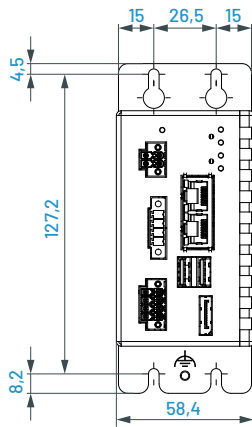


DIMENSIONI

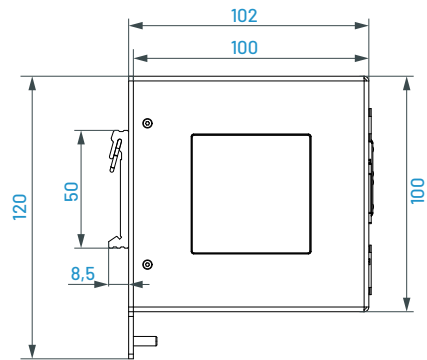
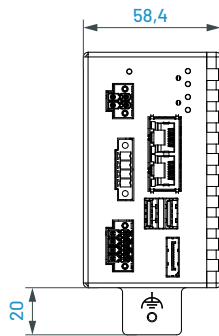
FRONT VIEW

SIDE VIEW

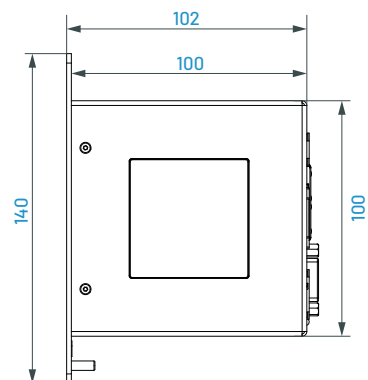
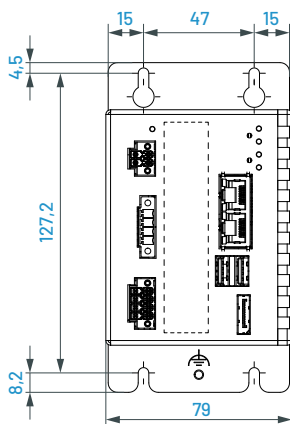
BM110 - book mounting



BM110 - DIN mounting



BM12X - book mounting



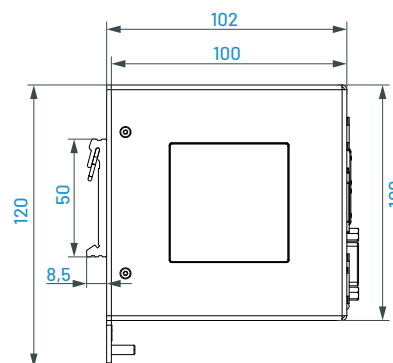
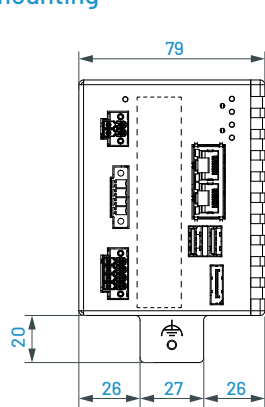
FAMIGLIA BM1XY

DIMENSIONI

FRONT VIEW

SIDE VIEW

BM12X - DIN mounting



DATI TECNICI

		BM100	BM110	BM120	BM121	
PROTECTION GRADE	IP rating	IP20				
CASE	Installation	Book / DIN rail / Wall Mounting	Book / DIN rail Mounting			
	Material	Anodized aluminum alloy				
	Dimensions (w/o mounting)	100x100x39,4mm	100x100x58,4mm	100x100x79mm		
PROCESSOR (soldered on-board)	Intel Atom® x5-E3930 1.3GHz (1.8 GHz Burst) • 2 cores / 2 threads • 2MB L2 cache • 14nm Intel Atom® x7-E3950 1.6GHz (2.0 GHz Burst) • 4 cores / 4 threads • 2MB L2 cache • 14nm					
CHIPSET	Intel® Apollo Lake • Included into processor chip (SoC)					
VIDEO CONTROLLER	Intel® HD Graphics 500 integrated in Intel Atom® x5-E3930 processor • 400MHz/550MHz Intel® HD Graphics 505 integrated in Intel Atom® x7-E3950 processor • 500MHz/650MHz					
TPM	Intel® PTT (TPM integrated)					
SYSTEM MEMORY RAM (soldered)	with x5-E3930	4GB SODIMM LP-DDR4 module				
	with x7-E3950	4GB or 8GB SODIMM LP-DDR4 module				
MASS STORAGE	SSD M.2	1x onboard connector for direct insertion of M.2 2242 SATA III SSD (up to 480GB)				
INTERFACES	LAN	2x Gigabit Ethernet (RJ45)	4x Gigabit Ethernet (RJ45)	2x Gigabit Ethernet (RJ45)		
	LAN Switch	-			1x Unmanaged Gigabit Switch (4x RJ45)	
	USB	2x USB 3.0 (Type-A)		4x USB 3.0 (Type-A)		
	SERIAL	-		1x RS232/422/485 (DB9M)	-	
	VIDEO	1x DisplayPort++ V1.2				
	DIGITAL INPUT	-	2x Digital Input (0÷24V isolation 500V)			
	DIGITAL OUTPUT	-	2x Digital Output (N.O. max 200mA 24VDC)			
POWER SUPPLY INPUT	24VDC (18÷32VDC) isolated					
POWER SUPPLY (optional)	UPS	-	UPS with external battery pack (NiMH • 12V/2,5Ah) (separate mounting)			
BATTERY	1x CR2032 Internal access					
O.S. CERTIFIED	Microsoft Windows 10 IoT Enterprise 2019 64 bit					
OPERATING TEMPERATURE	with x5-E3930	0°C ÷ 55°C	0°C ÷ 50°C			
	with x7-E3950	0°C ÷ 50°C				
STORAGE TEMPERATURE	-10°C ÷ 60°C					
OPERATING/STORAGE RELATIVE HUMIDITY	20% ÷ 90% RH (non-condensing)					
APPROVALS	CE RoHS UKCA cULus Listed		CE RoHS cULus Listed		CE RoHS UKCA cULus Listed	

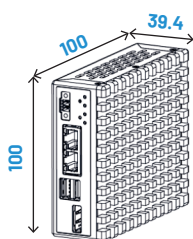
FAMIGLIA BM1XY

TABELLA DI CONFRONTO

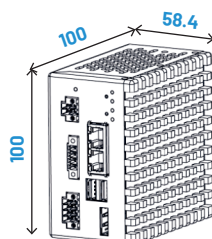
	BM100	BM110	BM120	BM121
2 DI + 2DO	X	✓	✓	✓
LAN	2	2	4	6 (2 + 4-port switch)
USB 3.0	2	2	4	4
MultiSTD.COM	X	X	✓	X
UPS (optional)	X	✓	✓	✓

DIMENSIONI A CONFRONTO

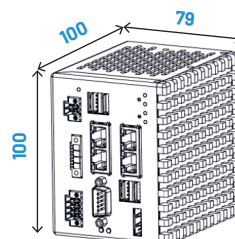
BM100



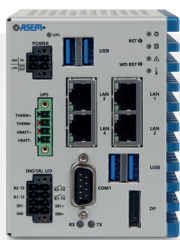
BM110



BM12X



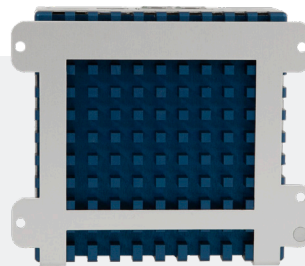
GALLERIA IMMAGINI



ALTAMENTE CONFIGURABILE



DIN MOUNTING BM1XY



WALL MOUNTING BM100

DETTAGLIO - PACCO BATTERIE ESTERNO

External battery pack (not available for BM100)



