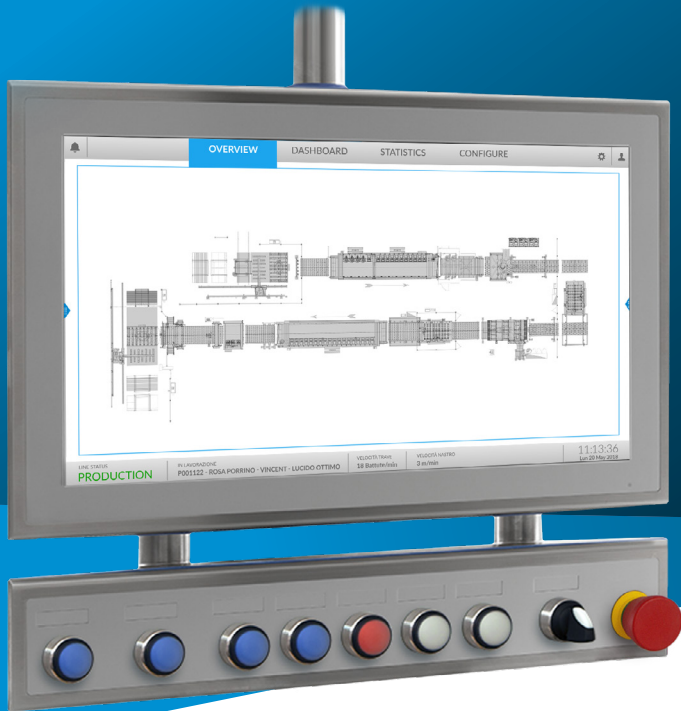


# MX200 & MX200-BA

Stainless steel arm mounting industrial monitors



## HIGHLIGHTS

- Monitors specifically developed for Food&Beverage and chemical/pharma applications
- Stainless steel (AISI 304L) chassis with sloping surfaces to avoid dust accumulation
- Stainless steel (AISI 304L) hygienic screws with under-head gasket
- Fully cleanable blue silicone gaskets
- 18.5" TFT LCDs in Wide aspect ratio
- Resolution up to Full HD
- Stainless steel (AISI 304L) True Flat front panels with resistive and capacitive touchscreen
- Top/bottom arm mounting
- Up to full IP69K protection grade
- Video input: 1x DVI-D and 1x DisplayPort
- Available with configurable Button Area for the installation of hard-wired elements: Ø22 cleanable silicon elements, or Ø30 low profile stainless steel elements
- Available in RVL version (MXR200) for the remotation of the DVI-D and USB 2.0 signals up to 100m

REMOTE VIDEO LINK



STAINLESS STEEL



IP69K

food and beverage industry compliant



 **ASEM**

A ROCKWELL AUTOMATION COMPANY

# MX200 & MX200-BA

## BUTTON AREA

### HIGHLIGHTS



- Fully configurable according to customer specifications
- Frontally accessible for subsequent configuration changes and/or additions
- Hard-wired connection mode
- The element selected by the customer can be Ø22 cleanable silicon, or Ø30 low profile stainless steel
- Up to 9 elements can be installed (of which maximum 8 with hard-wired connection)

### Ø22 SILICON ELEMENTS



#### LED INDICATORS

- available in 5 colors (red, yellow, green, blue, white)



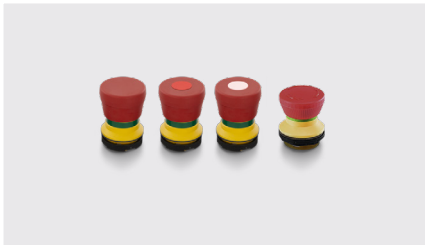
#### PUSH BUTTONS

- opaque version available in gray color
- translucent version available in 5 colors (red, yellow, green, blue, white)



#### ROTARY SELECTOR SWITCHES

- with key
- keyless LED illuminated
- with 1 (90°) or 2 (±40°, ±60°) positions (momentary or latching)



#### EMERGENCY SELECTOR SWITCHES

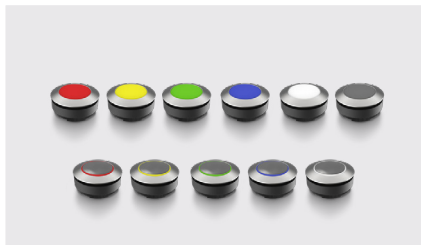
- with rotating or pulling unlock movement, with or without LED

### Ø30 LOW PROFILE STAINLESS STEEL ELEMENTS



#### LED INDICATORS

- available in 5 colors (red, yellow, green, blue, white)



#### PUSH BUTTONS

- opaque version available in gray color
- translucent version available in 5 colors (red, yellow, green, blue, white)
- with ring lighting

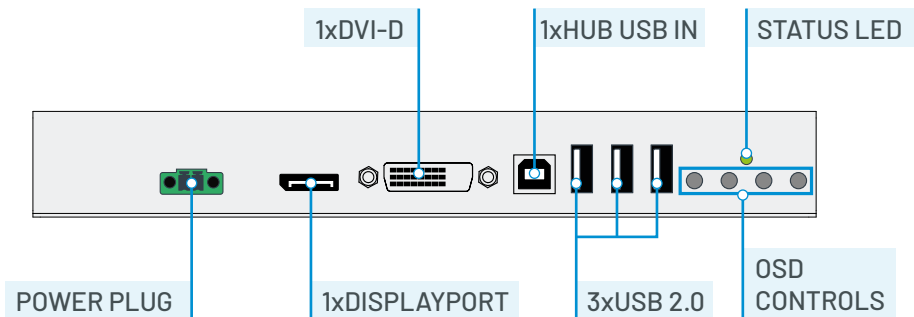


#### ROTARY SELECTOR SWITCHES

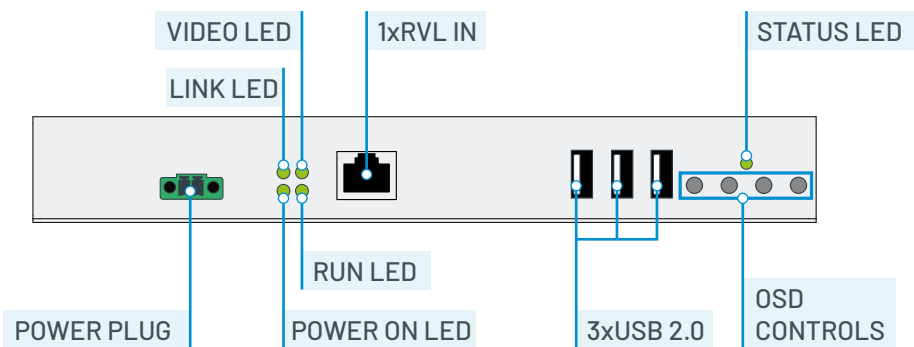
- with key
- keyless LED illuminated
- with 1 (90°) or 2 (±40°, ±60°) positions (momentary or latching)

## I/O SHIELDS

### MX systems (w/o RVL technology)

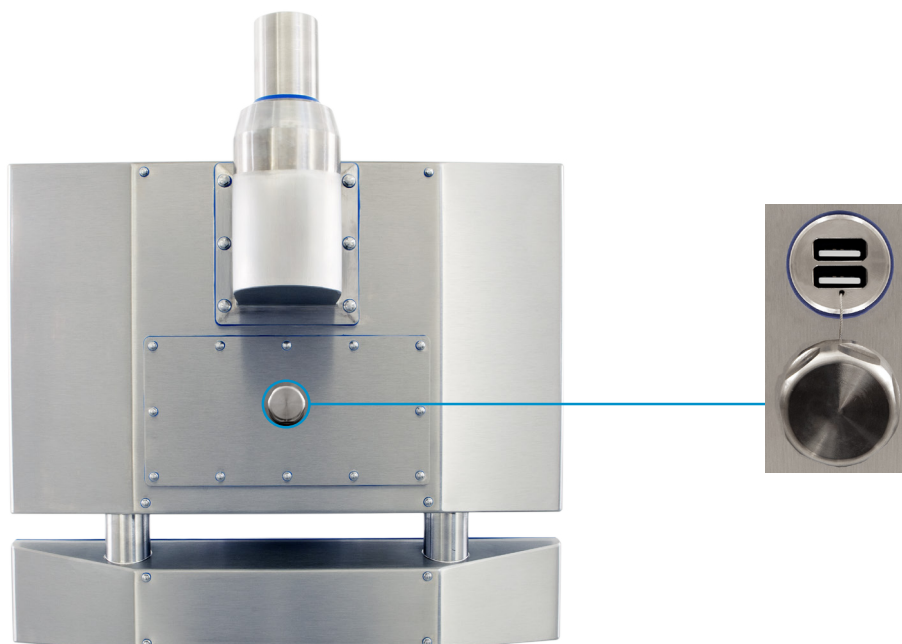


### MXR systems (w/ RVL technology)



## DETAIL - USB 2.0

Rear access 2xUSB 2.0 (Type-A) with protection cap



# DIMENSIONS

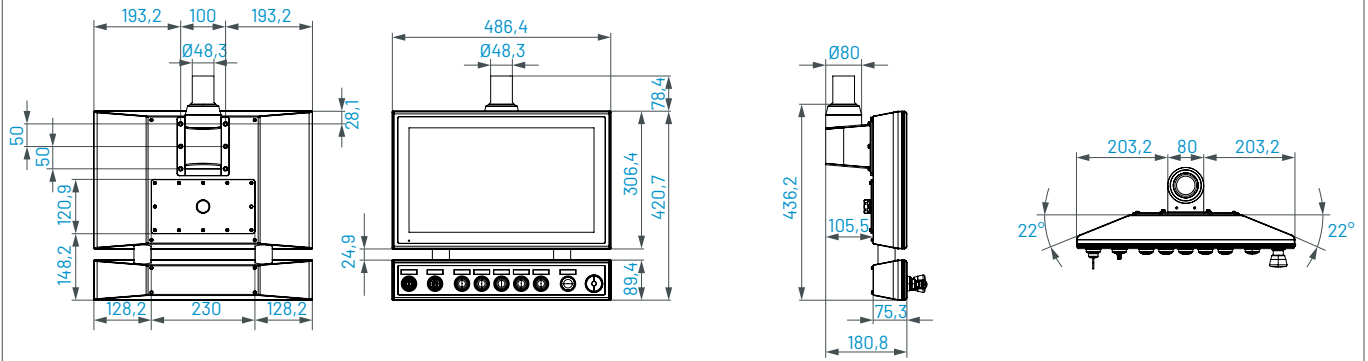
REAR VIEW

FRONT VIEW

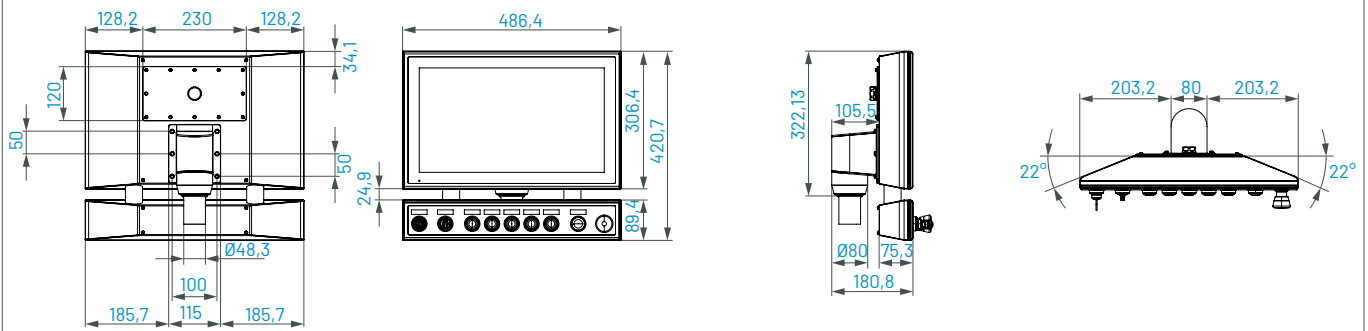
SIDE VIEW

TOP VIEW

## TOP ARM MOUNTING



## BOTTOM ARM MOUNTING



# MX200 & MX200-BA

## TECHNICAL DATA

	MX200-TFK	MX200-TFMK	MX200-BA	MX200-BA-TFMK
<b>LED BACKLIGHT TFT LCD</b>	18.5" W - 1366x768 18.5" W - 1920x1080			
<b>TOUCHSCREEN</b>	Resistive 5 Wires	P-CAP Multitouch	Resistive 5 Wires	P-CAP Multitouch
<b>FRONT PANEL</b>	True Flat Stainless Steel			
<b>PROTECTION GRADE</b>	Full IP69K		Full IP65	
<b>BUTTON AREA</b>	-		See dedicated section	
<b>CASE</b>	<b>Installation</b>	6x M5 screws + gasket + technical drawing to build your own fixing flange (included) or Top/bottom arm mounting with customized flange for Ø48mm tubes (optional)		
	<b>Material</b>	Stainless Steel AISI 304L		
<b>VIDEO INPUT</b>		1x DisplayPort 1x DVI-D		
	<b>Remote version MXR</b>	1x RJ45 connector for remotation of DVI-D1		
<b>USB INPUT</b>		1x USB 2.0 HUB input (Type-B)		
	<b>Remote version MXR</b>	1x RJ45 connector for remotation of USB 2.0 <sup>1</sup>		
<b>USB OUTPUT</b>		3x USB 2.0 (Type-A)		
	<b>Optional</b>	2x USB 2.0 (Type-A) rear access with protection cap		
<b>POWER SUPPLY INPUT</b>	24VDC (18÷32VDC) isolated			
<b>OPERATING TEMPERATURE</b>	0° ÷ +50°C			
<b>STORAGE TEMPERATURE</b>	-5° ÷ +60°C			
<b>OPERATION/STORAGE RELATIVE HUMIDITY</b>	20% ÷ 90% RH (non-condensing)			
<b>APPROVALS</b>	CE RoHS UKCA cULus Listed			

1. The same RJ45 connector is used for remotation of DVI-D and USB 2.0 signals

**ASEM S.r.l.**  
Via Buia 4  
33011 Artegna (UD) | Italia

Phone: +39/0432-9671  
Fax: +39/0432-977465

email: [industrialautomation@asem.it](mailto:industrialautomation@asem.it)  
website: [www.asemautomation.com](http://www.asemautomation.com)

