

OptixEdge™

Advance Edge Gateway based on
FactoryTalk® Optix™ and container technology



- Industrial IoT gateway equipped with an NXP® i.MX 8M Plus processor
- Collect, analyze and send data to the cloud via FactoryTalk® Optix™
- Provide Remote Assistance via FactoryTalk® Remote Access™ with Embedded digital I/O for extra security
- The OptixEdge Application Wizard enables you to quickly configure your IIoT application, including configuring your data sources and destinations, creating quick dashboards with the available widgets and more
- Extend the capabilities of FactoryTalk® Optix™ and FactoryTalk® Remote Access™ by hosting Docker containers

 FT Optix™ INSIDE

 FT Remote Access™ INSIDE

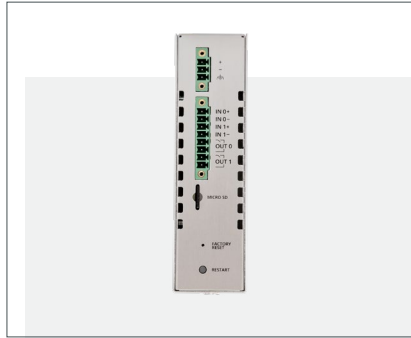
 Optix Wizard

 DOCKER
CONTAINER

 DESIGN
FOR
SECURITY

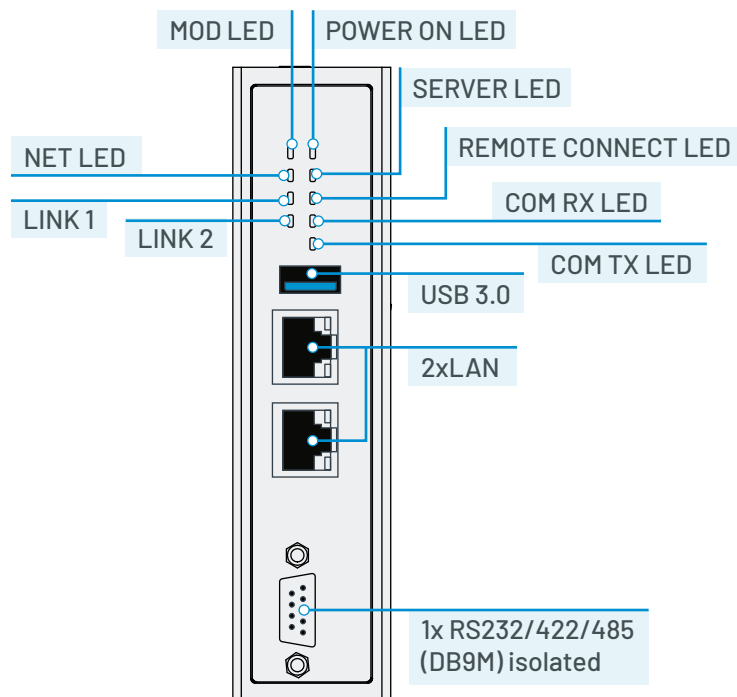


GALLERY



I/O SHIELD

OptixEdge

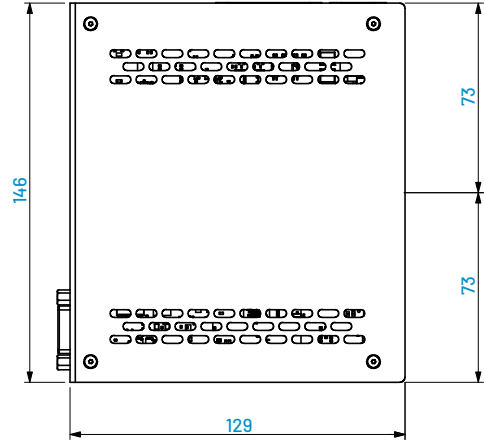
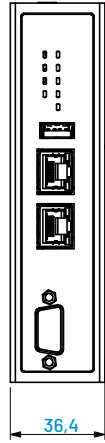


DIMENSIONS

FRONT VIEW

SIDE VIEW

OptixEdge



TECHNICAL DATA

		OptixEdge STANDARD	
HMI SW		FactoryTalk® Optix™ XS size (5 tokens)	FACTORYTALK® OPTIX™ S SIZE (8 TOKENS)
REMOTE ASSISTANCE SW		FactoryTalk® Remote Access™ Pro (UBIQUITY compatible)	
OTHER SW	3rd party	Docker containers support	
	Networking	NAT, NAT1:1, Routing, Internet Sharing *	
O.S. INSTALLED		Linux Yocto	
PROTECTION GRADE IP	IP rating	IP20	
	NEMA rating	UL TYPE1(indoor only)	
CASE	Installation	DIN rail / Book mounting	
	Material	Aluminum	
PROCESSOR		i.MX 8M Plus	
SYSTEM MEMORY RAM		4GB	
MASS STORAGE		~12GB available for customer's application (eMMC in pSLC mode)	
STORAGE EXPANSION		1x MicroSD slot on board with external access (push-push)	
INTERFACES	Lan	2x Gigabit Ethernet (RJ45)	
	USB	1x USB 3.0 (Type-A / host)	
	Serial	1x RS232/422/485 (DB9M) isolated	
DIGITAL INPUTS	In 0	enable FTRA Network connection	
	In 1	restart Device	
	Type	18÷32V - optoisolated (500V)	
DIGITAL OUTPUTS	Out 0	feedback on FTRA Network connection	
	Out 1	feedback on active FTRA remote connection	
	Type	Solid state relay - optoisolated (500V) max 200mA - 24VDC - N.O.	
POWER SUPPLY INPUT		24VDC (18 ÷ 32VDC) SELV isolated	
CURRENT CONSUMPTION		0.5A max at 24VDC	
RTC BACKUP		Supercapacitor	
OPERATING TEMPERATURE		0° ÷ 50°C	
STORAGE TEMPERATURE		-20° ÷ 60°C	
OPERATING/STORAGE RELATIVE HUMIDITY		20% ÷ 90% RH (non-condensing)	
VIBRATION	Frequency range	10,00 Hz to 500,00 Hz	
	Sweep rate	1 octave / min	
	Number of sweep cycles	5 / axis (56°27")	
	Displacement	0,3048 mm p-p (10,00 Hz to 57 Hz)	
	Acceleration	0-p: 2,0 g (57 Hz to 500,00 Hz)	
SHOCK	Operating	15 g (acceleration) at 11 ms (duration)	
	Non operating	30 g (acceleration) at 11 ms (duration)	
APPROVALS		REACH, RoHS, WEEE CE (EMC), cULus Listed, KC, UKCA, RCM, MOROCCO, ODVA	

* Available via future firmware update