

# OptixEdge

Advanced Edge Gateway basato su  
FactoryTalk® Optix™ e container technology



- Industrial Gateway IoT dotato di processore NXP® i.MX 8M Plus
- Raccoglie, analizza e invia dati al cloud tramite FactoryTalk® Optix™
- Fornisce assistenza remota tramite FactoryTalk® Remote Access™ con I/O digitali integrati per una sicurezza aggiuntiva
- La OptixEdge Application Wizard consente di configurare rapidamente la tua applicazione IIoT, inclusa la configurazione delle sorgenti e destinazioni dei dati, la creazione rapida di dashboard con i widget disponibili e molto altro
- Estende le funzionalità di FactoryTalk® Optix™ e FactoryTalk® Remote Access™ ospitando container Docker

 FT Optix™ INSIDE

 FT Remote Access™ INSIDE

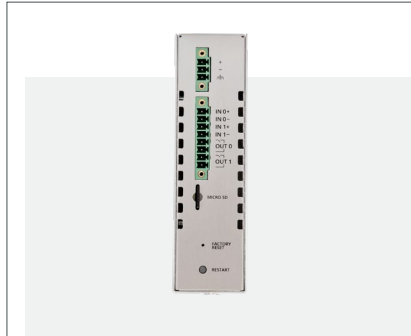
 Optix Wizard

 DOCKER  
CONTAINER

 DESIGN  
FOR  
SECURITY

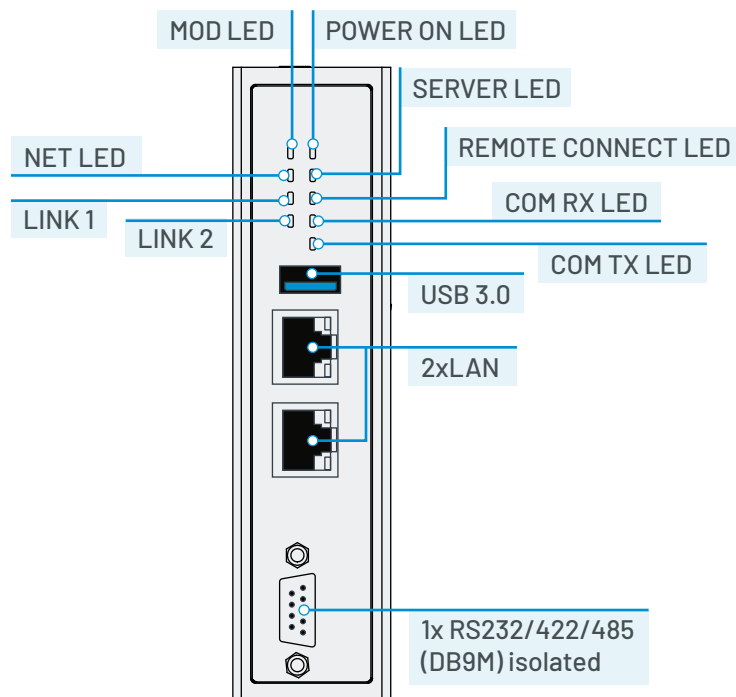


## GALLERIA IMMAGINI



## I/O SHIELD

OptixEdge

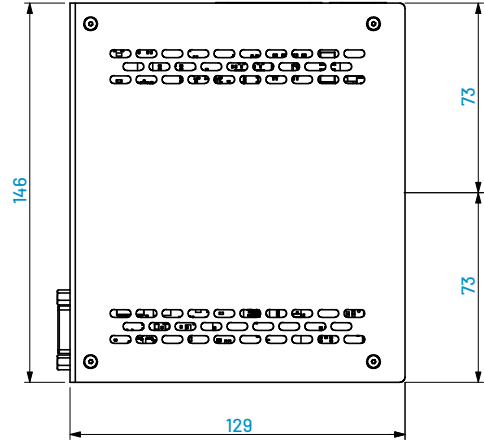
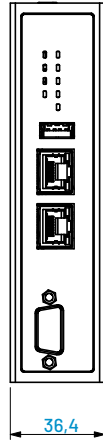


# DIMENSIONI

FRONT VIEW

SIDE VIEW

OptixEdge



## DATI TECNICI

		OptixEdge STANDARD	
<b>HMI SW</b>		FactoryTalk® Optix™ XS size (5 tokens)	FACTORYTALK® OPTIX™ S SIZE (8 TOKENS)
<b>REMOTE ASSISTANCE SW</b>		FactoryTalk® Remote Access™ Pro (UBIQUITY compatible)	
<b>OTHER SW</b>	<b>3rd party</b>	Docker containers support	
	<b>Networking</b>	NAT, NAT1:1, Routing, Internet Sharing *	
<b>O.S. INSTALLED</b>		Linux Yocto	
<b>PROTECTION GRADE IP</b>	<b>IP rating</b>	IP20	
	<b>NEMA rating</b>	UL TYPE1(indoor only)	
<b>CASE</b>	<b>Installation</b>	DIN rail / Book mounting	
	<b>Material</b>	Aluminum	
<b>PROCESSOR</b>		i.MX 8M Plus	
<b>SYSTEM MEMORY RAM</b>		4GB	
<b>MASS STORAGE</b>		~12GB available for customer's application (eMMC in pSLC mode)	
<b>STORAGE EXPANSION</b>		1x MicroSD slot on board with external access (push-push)	
<b>INTERFACES</b>	<b>Lan</b>	2x Gigabit Ethernet (RJ45)	
	<b>USB</b>	1x USB 3.0 (Type-A / host)	
	<b>Serial</b>	1x RS232/422/485 (DB9M) isolated	
<b>DIGITAL INPUTS</b>	<b>In 0</b>	enable FTRA Network connection	
	<b>In 1</b>	restart Device	
	<b>Type</b>	18÷32V - optoisolated (500V)	
<b>DIGITAL OUTPUTS</b>	<b>Out 0</b>	feedback on FTRA Network connection	
	<b>Out 1</b>	feedback on active FTRA remote connection	
	<b>Type</b>	Solid state relay - optoisolated (500V) max 200mA - 24VDC - N.O.	
<b>POWER SUPPLY INPUT</b>		24VDC (18 ÷ 32VDC) SELV isolated	
<b>CURRENT CONSUMPTION</b>		0.5A max at 24VDC	
<b>RTC BACKUP</b>		Supercapacitor	
<b>OPERATING TEMPERATURE</b>		0° ÷ 50°C	
<b>STORAGE TEMPERATURE</b>		-20° ÷ 60°C	
<b>OPERATING/STORAGE RELATIVE HUMIDITY</b>		20% ÷ 90% RH (non-condensing)	
<b>VIBRATION</b>	<b>Frequency range</b>	10,00 Hz to 500,00 Hz	
	<b>Sweep rate</b>	1 octave / min	
	<b>Number of sweep cycles</b>	5 / axis (56°27")	
	<b>Displacement</b>	0,3048 mm p-p (10,00 Hz to 57 Hz)	
	<b>Acceleration</b>	0-p: 2,0 g (57 Hz to 500,00 Hz)	
<b>SHOCK</b>	<b>Operating</b>	15 g (acceleration) at 11 ms (duration)	
	<b>Non operating</b>	30 g (acceleration) at 11 ms (duration)	
<b>APPROVALS</b>		REACH, RoHS, WEEE CE (EMC), cULus Listed, KC, UKCA, RCM, MOROCCO, ODVA	

\* Available via future firmware update