

SERIE RK2X

Router industriali per l'assistenza remota completa e sicura in qualsiasi scenario industriale



HIGHLIGHTS

- Software UBIQUNITY integrato per l'assistenza remota certificata IEC 62443
- Accesso ai dispositivi di automazione connessi al router tramite porta Ethernet, seriale e USB attraverso una VPN ottimizzata per le comunicazioni industriali
- Garantisce l'assistenza remota e l'accesso remoto su qualsiasi dispositivo di automazione dove non sia possibile installare l'applicazione software (UBIQUNITY runtime) o in macchinari e impianti senza una connessione internet.
- Affidabilità, velocità e bassa latenza garantite dalla connessione end-to end
- I sistemi sono basati su processori ARM e presentano due porte Gigabit Ethernet (una LAN ed una WAN), un'interfaccia USB 2.0 ed una seriale a connessione multistandard
- Sistemi RK21 e RK22 disponibili con modulo Wi-Fi e modem 4G LTE per la massima connettività senza fili
- RK22 disponibile con uno switch a quattro porte Gigabit Ethernet integrato
- Disponibili con due input digitali a 24VDC per l'abilitazione dell'accesso remoto e per il reset del dispositivo e due uscite a relay a bassa tensione per utili segnalazioni operative
- Chassis robusto ed elegante per montaggio a libro o a guida DIN
- Disponibili con temperatura operativa a range esteso per installazioni in ambienti ostili

 UBIQUNITY INSIDE



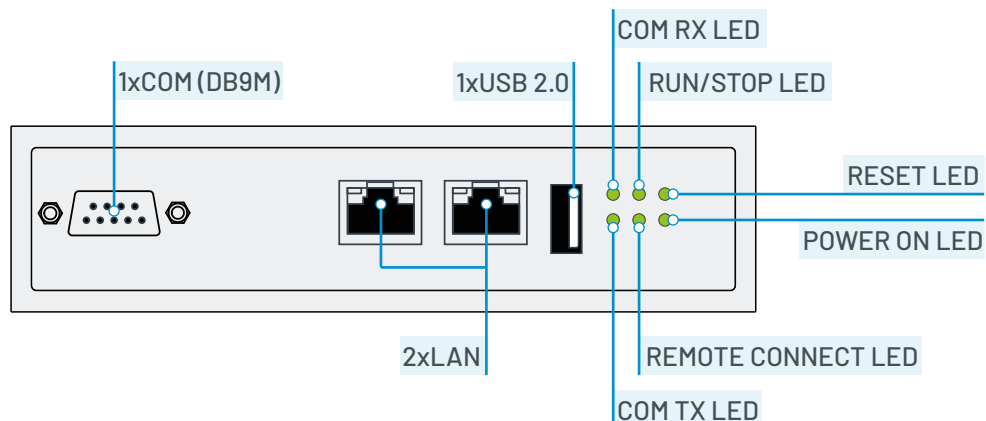
 ASEM

A ROCKWELL AUTOMATION COMPANY

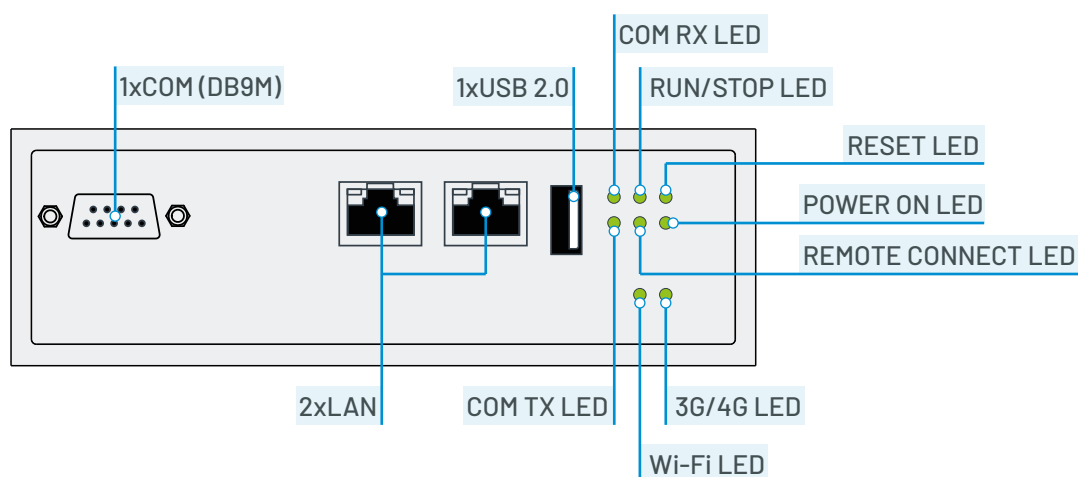
SERIE RK2X

I/O SHIELD

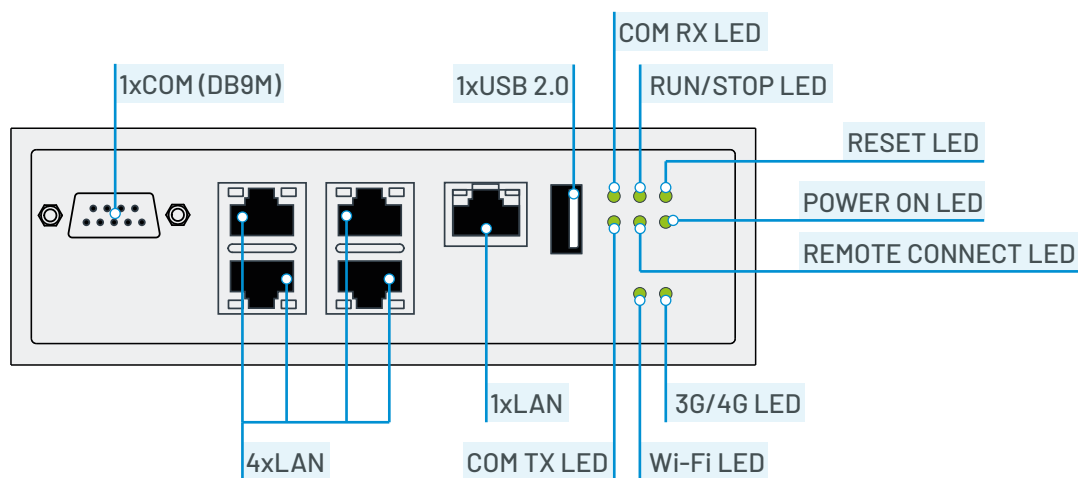
RK20 (frontal access)



RK21 (frontal access)

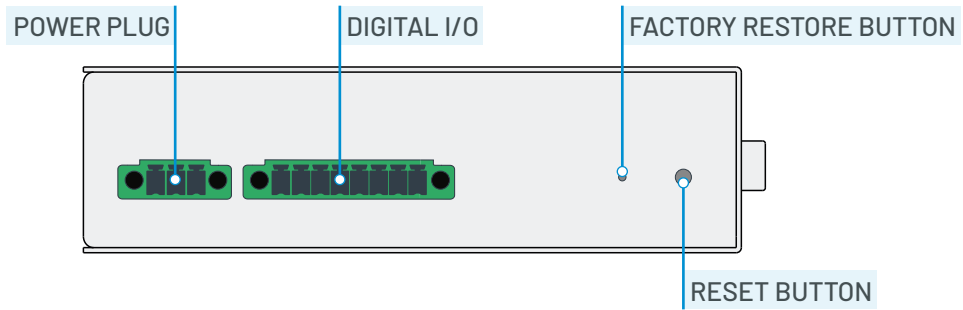


RK22 (frontal access)

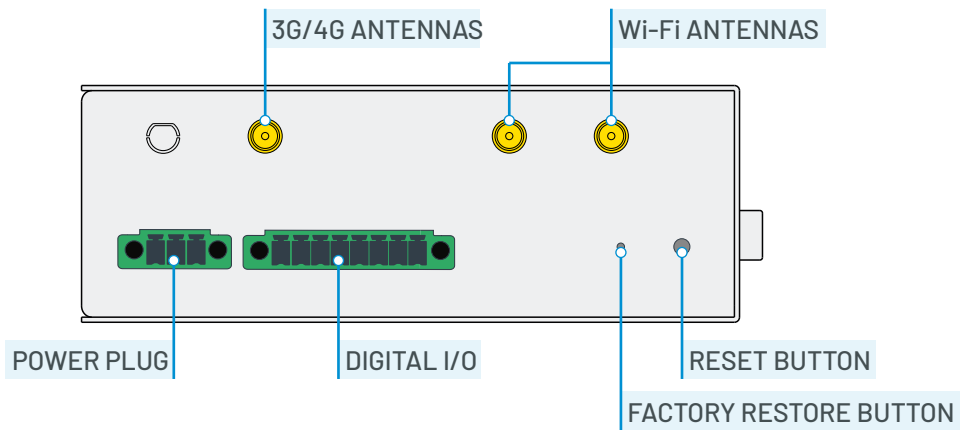


I/O SHIELD

RK20 (upper access)



RK21-22 (upper access)



DIMENSIONI

FRONT VIEW

SIDE VIEW

REAR VIEW

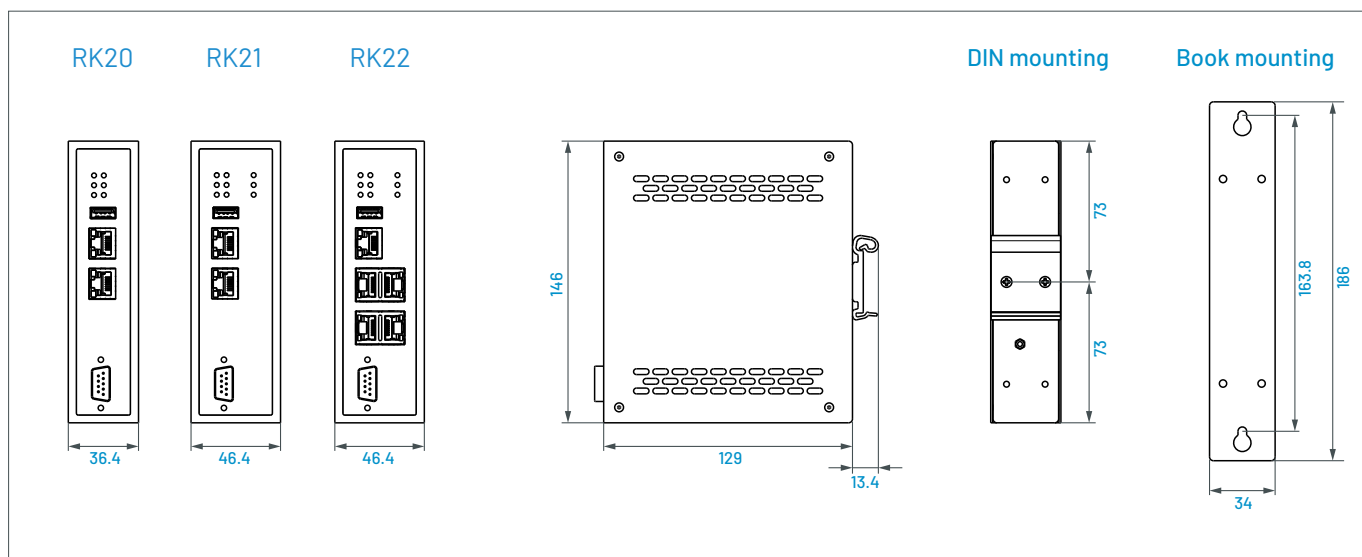


TABELLA DI CONFRONTO

ROUTER	RK20	RK21	RK22
WAN	1x Gigabit Ethernet	1x Gigabit Ethernet	1x Gigabit Ethernet
LAN	1x Gigabit Ethernet	1x Gigabit Ethernet	1x Switch Ethernet (4x Gigabit Ethernet)
USB	1x USB 2.0	1x USB 2.0	1x USB 2.0
SERIAL	1xDB9M	1xDB9M	1xDB9M
CONNECTIVITY	Cellular	X	✓ (not available for RK21 - WiFi version)
	Wi-Fi	X	✓
DIGITAL INPUT/ OUTPUT	✓	✓	✓
VPN	✓	✓	✓
NAT/ROUTING	✓	✓	✓
INTERNET SHARING	✓	✓	✓
INTEGRATED FIREWALL	✓	✓	✓
OPERATING TEMPERATURE	-20°C + 60°C with radio module -20°C + 65°C without radio module		

SERIE RK2X

DATI TECNICI

		RK						
		20	21(Wi-Fi version)	21(Wi-Fi + 4G version)	21(4G version)	22(Wi-Fi version)	22(Wi-Fi + 4G version)	22(4G version)
REMOTE ASSISTANCE SW	Only RK/RM	UBIQUITY Router Runtime						
O.S. INSTALLED		Linux Yocto						
	Utility	Asem System Manager						
PROTECTION GRADE IP	IP rating	IP20						
	NEMA rating	UL type 1(indoor only)						
CASE	Installation	DIN mounting/ Book mounting						
	Material	Aluminum						
PROCESSOR (soldered on-board)		NXP® i.MX7 DualLite ARM Cortex A7/M4 1GHz • integrated GPU						
SYSTEM MEMORY RAM		1GB (DDR3L module)						
MASS STORAGE		8GB eMMC MLC						
INTERFACES	LAN	1x Gigabit Ethernet (RJ45)			1x Switch Ethernet (4x Gigabit Ethernet)			
	WAN	1x Gigabit Ethernet (RJ45)						
	USB	1x USB 2.0 (Type-A)						
	SERIAL	1x RS232/422/485 isolated (DB9M)						
WI-FI	Model	-	Intel AC9260 (M.2 interface)		-	Intel AC9260 (M.2 interface)		-
	Standard	-	IEEE 802.11a/b/g/n/ac, 2.4GHz/5GHz • Bluetooth 5.1 • Data rate up to 1.73Gbps		-	IEEE 802.11a/b/g/n/ac, 2.4GHz/5GHz • Bluetooth 5.1 • Data rate up to 1.73Gbps		-
	Security	-	WEP 64/128bit, WPA, WPA2, WPS, 802,1x		-	WEP 64/128bit, WPA, WPA2, WPS, 802,1x		-
	Antenna	-	2x RP-SMA Female connector		-	2x RP-SMA Female connector		-
CELLULAR NETWORK	Standard	-	2G/3G/4G LTE CAT 4 Multi-Band All regions • Data rate up to 50Mbps upload / 150Mbps download		-	2G/3G/4G LTE CAT 4 Multi-Band All regions • Data rate up to 50Mbps upload / 150Mbps download		-
	Antenna	-	1x SMA Female connector		-	1x SMA-F connector		-
	SIM	-	1x SIM card socket push-push type		-	1x SIM card socket push-push type		-
DIGITAL INPUT	IN0	Security key for WAN connection activation. Function managed by UBIQUITY (RK/RM) Freely configurable using UNI00 (DM)						
	IN1	UBIQUITY Router software reset (RK/RM) Freely configurable using UNI00 (DM)						
	Type	0÷24V isolation 500V						
DIGITAL OUTPUT	OUT0	UBIQUITY Router WAN enabled connection signal (RK/RM) Freely configurable using UNI00 (DM)						
	OUT1	UBIQUITY remote assistance service running signal (RK/RM) Freely configurable using UNI00 (DM)						
	Type	Output with relay (max 200mA - 24VDC - N.O.)						
POWER SUPPLY INPUT		12/24VDC (9 ÷ 34VDC) isolated						
OPERATING TEMPERATURE		-20°C ÷ 60°C w/ radio module -20°C ÷ 65°C w/o radio module						
STORAGE TEMPERATURE		-20° ÷ 60°C						
OPERATING/STORAGE RELATIVE HUMIDITY		20% ÷ 90% RH (non-condensing)						
APPROVALS		CE RoHS UKCA cULus Listed						

VERSIONI



RK20



RK21



RK22